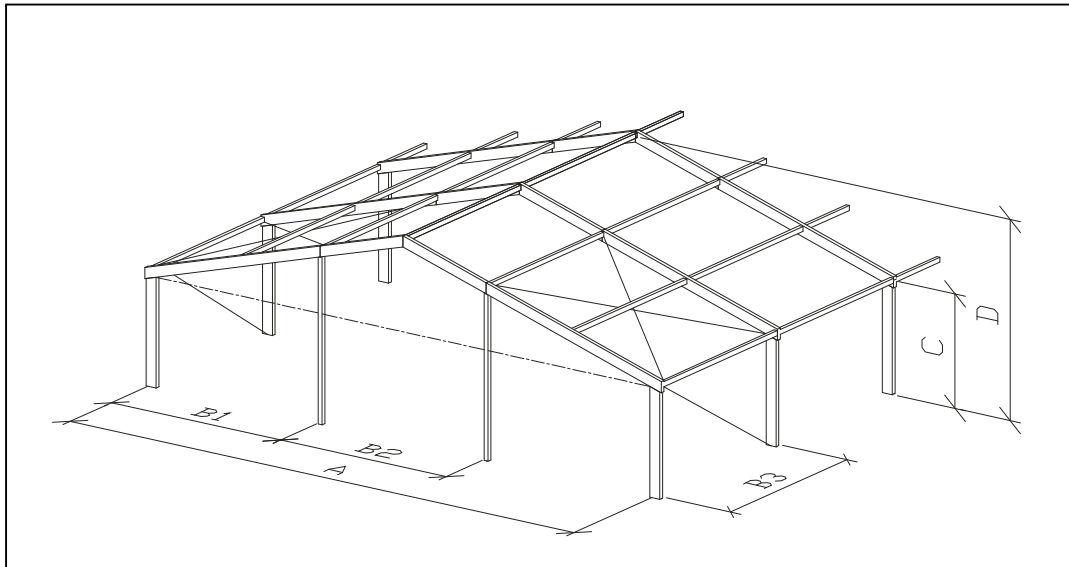




# maxiflex Party and Exhibition Hall

Type: 15.5/340 · Model: 169



## System Measures

Width	(A)	15.18 m
Eave height	(C)	3.26 m
Ridge height	(D)	5.73 m
Gable truss	(B1)	5.09 m
Gable truss	(B2)	5.00 m
Truss-distance	(B3)	5.00 m
Roof slope		18.00 °
Longest component		7.98 m
Truss profile		300 x 120 mm

## Technical Description

### Aluminium Profiles

Solid, hard pressed  
4-groove aluminium hollow profile

### Steel Parts

hot-dip galvanized according to DIN EN ISO 1461

### Ground Anchoring

Ground stakes or weight anchoring upon request

## Load Requirements/Technical Data

Wind load acc. to DIN EN 13782  
Min. length 10.00 m  
Max. length unlimited in truss-distance

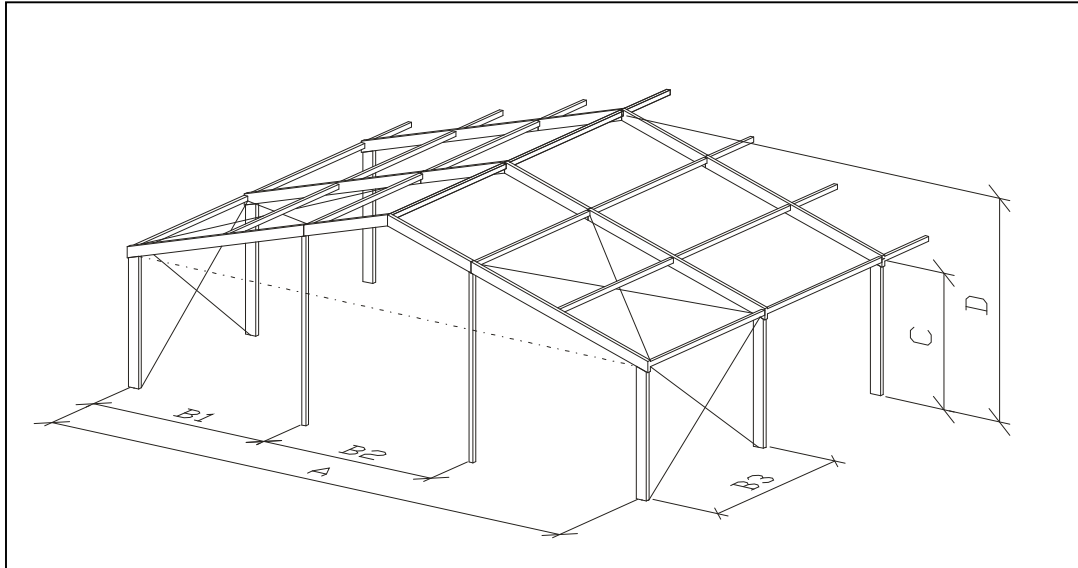
Subject to technical modifications!



LOSBERGER DE BOER

# maxiflex Party and Exhibition Hall

Type: 15.5/400 · Model: 216



## System Measures

Width	(A)	15.18 m
Eave height	(C)	3.86 m
Ridge height	(D)	6.33 m
Gable truss	(B1)	5.09 m
Gable truss	(B2)	5.00 m
Truss-distance	(B3)	5.00 m
Roof slope		18.00 °
Longest component		7.98 m
Truss profile		300 x 120 mm

## Technical Description

### Aluminium Profiles

Solid, hard pressed  
4-groove aluminium hollow profile

### Steel Parts

hot-dip galvanized according to DIN EN ISO 1461

### Ground Anchoring

Ground stakes or weight anchoring upon request

## Load Requirements/Technical Data

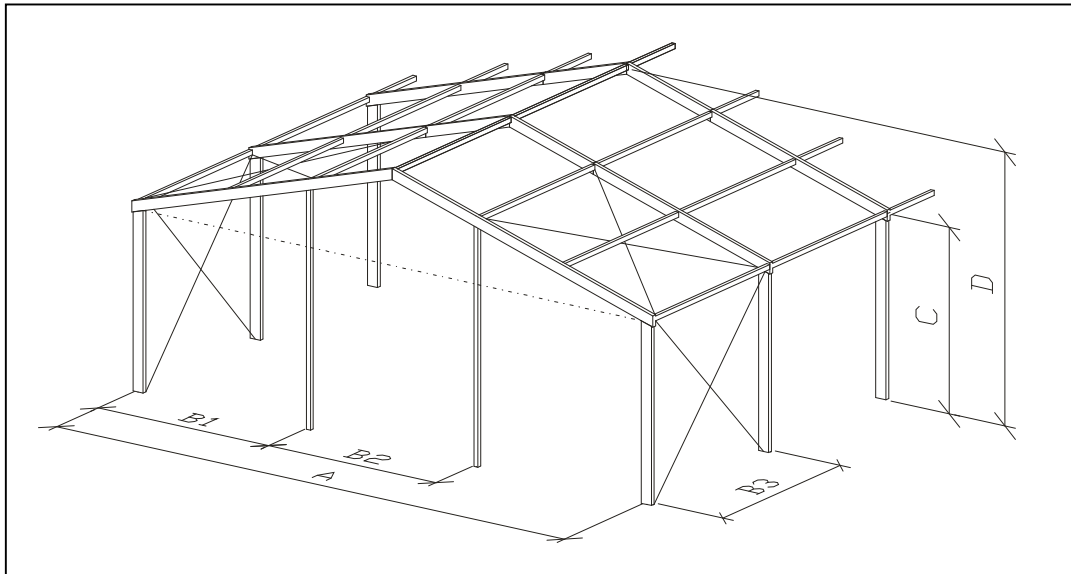
Wind load acc. to DIN EN 13782  
Min. length 10.00 m  
Max. length unlimited in 0

Subject to technical modifications!



# maxiflex Party and Exhibition Hall

Type: 15.5/540 · Model: 315



## System Measures

Width	(A)	15.18 m
Eave height	(C)	5.26 m
Ridge height	(D)	7.73 m
Gable truss	(B1)	5.09 m
Gable truss	(B2)	5.00 m
Truss-distance	(B3)	5.00 m
Roof slope		18.00 °
Longest component		7.98 m
Truss profile		300 x 120 mm

## Technical Description

### Aluminium Profiles

Solid, hard pressed  
4-groove aluminium hollow profile

### Steel Parts

hot-dip galvanized according to DIN EN ISO 1461

### Ground Anchoring

Ground stakes or weight anchoring upon request

## Load Requirements/Technical Data

Wind load acc. to DIN EN 13782  
Min. length 10.00 m  
Max. length unlimited in truss-distance

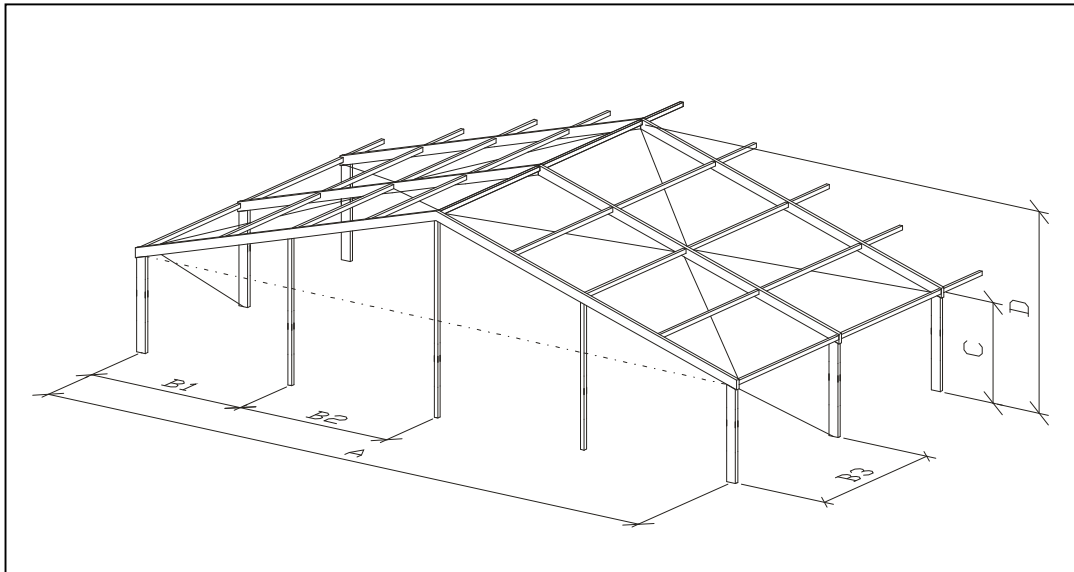
Subject to technical modifications!



LOSBERGER DE BOER

# maxiflex Party and Exhibition Hall

Type: 20.5/340 · Model: 168



## System Measures

Width	(A)	20.18 m
Eave height	(C)	3.26 m
Ridge height	(D)	6.54 m
Gable truss	(B1)	5.09 m
Gable truss	(B2)	5.00 m
Truss-distance	(B3)	5.00 m
Roof slope		18.00 °
Longest component		10.61 m
Truss profile		300 x 120 mm

## Technical Description

### Aluminium Profiles

Solid, hard pressed  
4-groove aluminium hollow profile

### Steel Parts

hot-dip galvanized according to DIN EN ISO 1461

### Ground Anchoring

Ground stakes or weight anchoring upon request

## Load Requirements/Technical Data

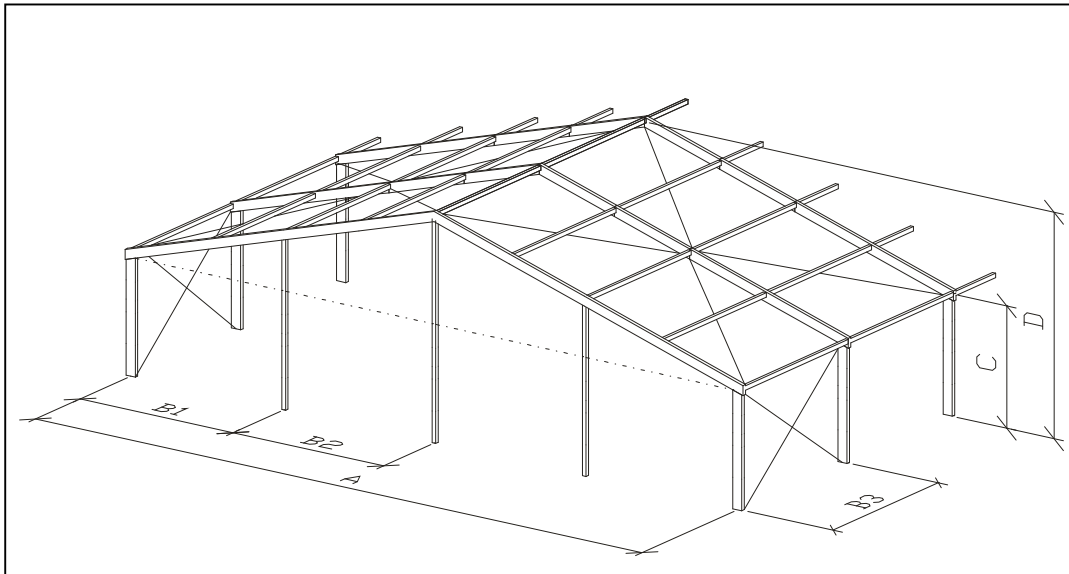
Wind load acc. to DIN EN 13782  
Min. length 20.00 m  
Max. length unlimited in truss-distance

Subject to technical modifications!



# maxiflex Party and Exhibition Hall

Type: 20.5/400 · Model: 310



## System Measures

Width	(A)	20.18 m
Eave height	(C)	3.86 m
Ridge height	(D)	7.14 m
Gable truss	(B1)	5.09 m
Gable truss	(B2)	5.00 m
Truss-distance	(B3)	5.00 m
Roof slope		18.00 °
Longest component		10.61 m
Truss profile		300 x 120 mm

## Technical Description

### Aluminium Profiles

Solid, hard pressed  
4-groove aluminium hollow profile

### Steel Parts

hot-dip galvanized according to DIN EN ISO 1461

### Ground Anchoring

Ground stakes or weight anchoring upon request

## Load Requirements/Technical Data

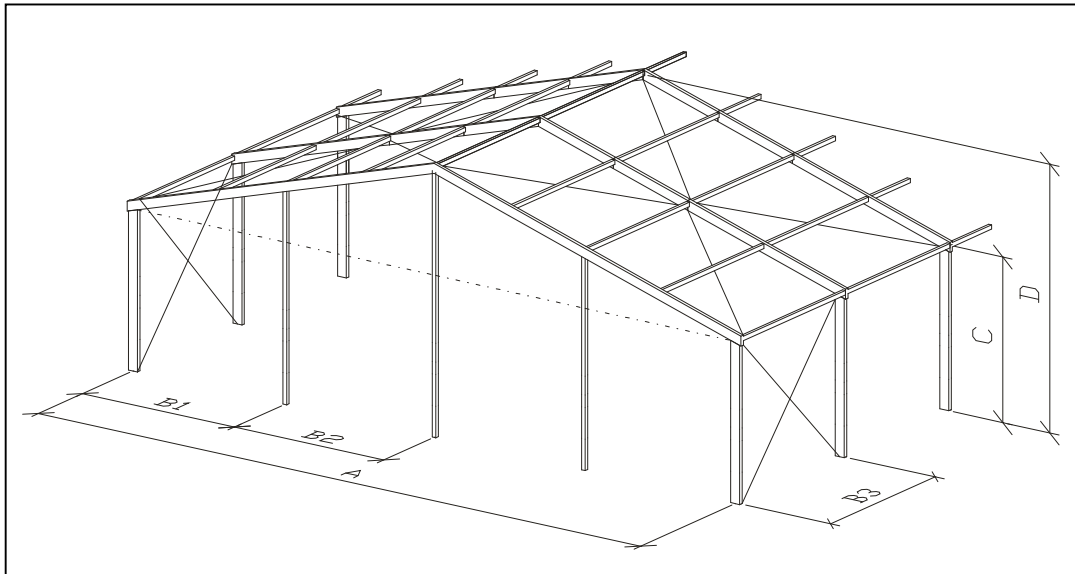
Wind load acc. to DIN EN 13782  
Min. length 20.00 m  
Max. length unlimited in truss-distance

Subject to technical modifications!



# maxiflex Party and Exhibition Hall

Type: 20.5/540 · Model: 218



## System Measures

Width	(A)	20.18 m
Eave height	(C)	5.26 m
Ridge height	(D)	8.54 m
Gable truss	(B1)	5.09 m
Gable truss	(B2)	5.00 m
Truss-distance	(B3)	5.00 m
Roof slope		18.00 °
Longest component		10.61 m
Truss profile		300 x 120 mm

## Technical Description

### Aluminium Profiles

Solid, hard pressed  
4-groove aluminium hollow profile

### Steel Parts

hot-dip galvanized according to DIN EN ISO 1461

### Ground Anchoring

Ground stakes or weight anchoring upon request

## Load Requirements/Technical Data

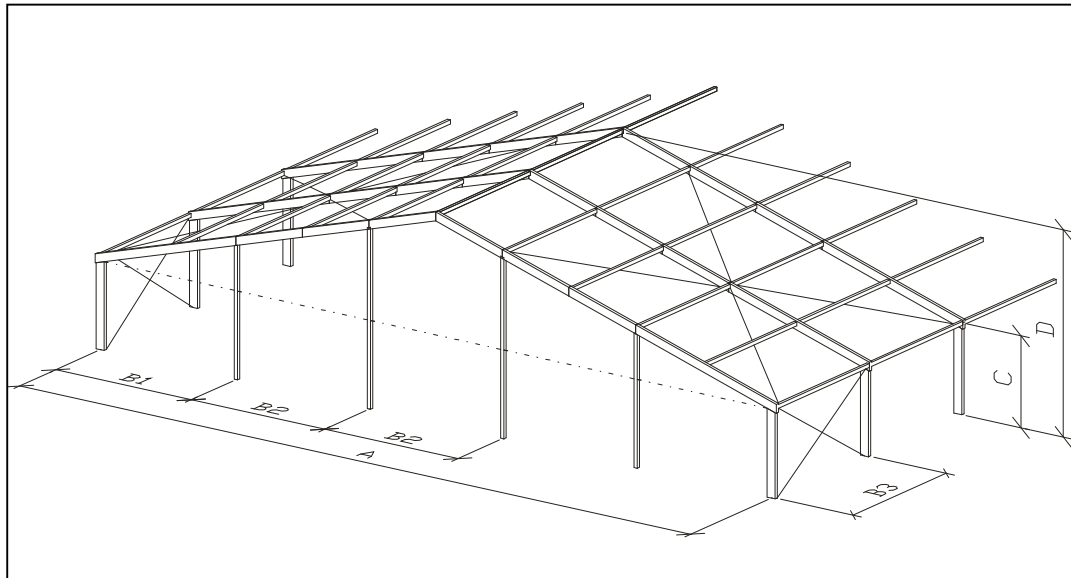
Wind load acc. to DIN EN 13782  
Min. length 20.00 m  
Max. length unlimited in truss-distance

Subject to technical modifications!



# maxiflex Party and Exhibition Hall

Type: 25.5/340 · Model: 171



## System Measures

Width	(A)	25.18 m
Eave height	(C)	3.26 m
Ridge height	(D)	7.35 m
Gable truss	(B1)	5.09 m
Gable truss	(B2)	5.00 m
Truss-distance	(B3)	5.00 m
Roof slope		18.00 °
Longest component		10.61 m
Truss profile		300 x 120 mm

## Technical Description

### Aluminium Profiles

Solid, hard pressed  
4-groove aluminium hollow profile

### Steel Parts

hot-dip galvanized according to DIN EN ISO 1461

### Ground Anchoring

Ground stakes or weight anchoring upon request

## Load Requirements/Technical Data

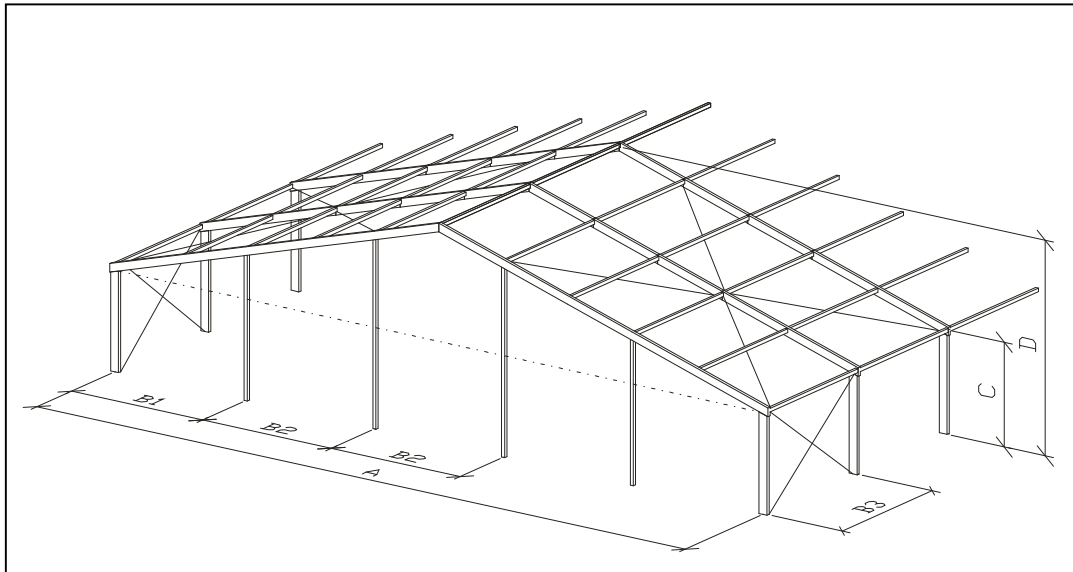
Wind load acc. to DIN EN 13782  
Min. length 20.00 m  
Max. length unlimited in truss-distance

Subject to technical modifications!



# maxiflex Party and Exhibition Hall

Type: 25.5/400 · Model: 311



## System Measures

Width	(A)	25.18 m
Eave height	(C)	3.86 m
Ridge height	(D)	7.95 m
Gable truss	(B1)	5.09 m
Gable truss	(B2)	5.00 m
Truss-distance	(B3)	5.00 m
Roof slope		18.00 °
Longest component		10.61 m
Truss profile		300 x 120 mm

## Technical Description

### Aluminium Profiles

Solid, hard pressed  
4-groove aluminium hollow profile

### Steel Parts

hot-dip galvanized according to DIN EN ISO 1461

### Ground Anchoring

Ground stakes or weight anchoring upon request

## Load Requirements/Technical Data

Wind load acc. to DIN EN 13782  
Min. length 20.00 m  
Max. length unlimited in truss-distance

Subject to technical modifications!

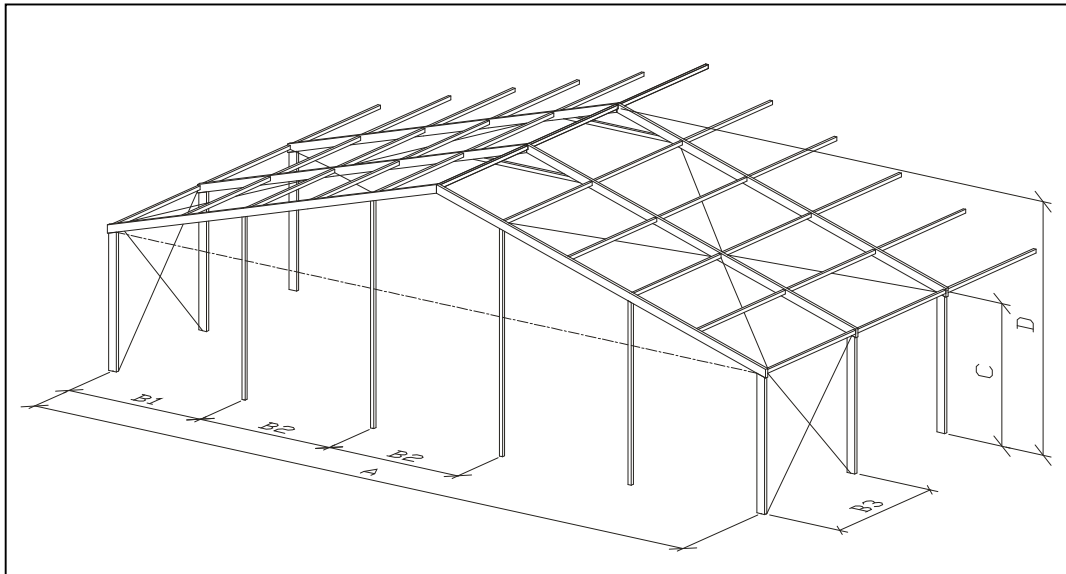




LOSBERGER DE BOER

# maxiflex Party and Exhibition Hall

Type: 25.5/540 · Model: 316



## System Measures

Width	(A)	25.18 m
Eave height	(C)	5.26 m
Ridge height	(D)	9.35 m
Gable truss	(B1)	5.09 m
Gable truss	(B2)	5.00 m
Truss-distance	(B3)	5.00 m
Roof slope		18.00 °
Longest component		10.61 m
Truss profile		300 x 120 mm

## Technical Description

### Aluminium Profiles

Solid, hard pressed  
4-groove aluminium hollow profile

### Steel Parts

hot-dip galvanized according to DIN EN ISO 1461

### Ground Anchoring

Ground stakes or weight anchoring upon request

## Load Requirements/Technical Data

Wind load acc. to DIN EN 13782  
Min. length 20.00 m  
Max. length unlimited in truss-distance

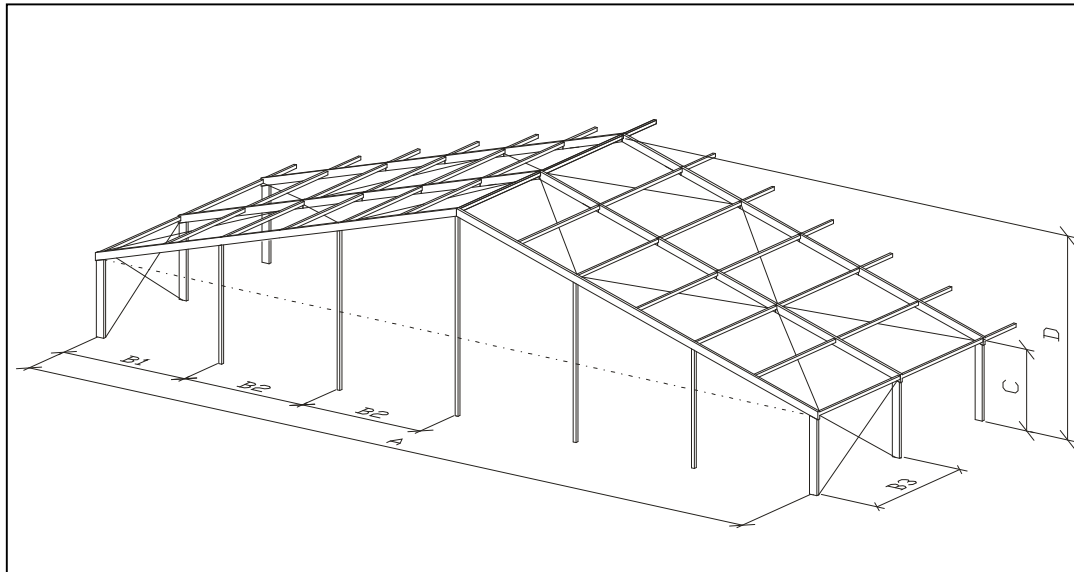
Subject to technical modifications!



LOSBERGER DE BOER

# maxiflex Party and Exhibition Hall

Type: 30.5/340 · Model: 153



## System Measures

Width	(A)	30.18 m
Eave height	(C)	3.26 m
Ridge height	(D)	8.16 m
Gable truss	(B1)	5.09 m
Gable truss	(B2)	5.00 m
Truss-distance	(B3)	5.00 m
Roof slope		18.00 °
Longest component		10.61 m
Truss profile		300 x 120 mm

## Technical Description

### Aluminium Profiles

Solid, hard pressed  
4-groove aluminium hollow profile

### Steel Parts

hot-dip galvanized according to DIN EN ISO 1461

### Ground Anchoring

Ground stakes or weight anchoring upon request

## Load Requirements/Technical Data

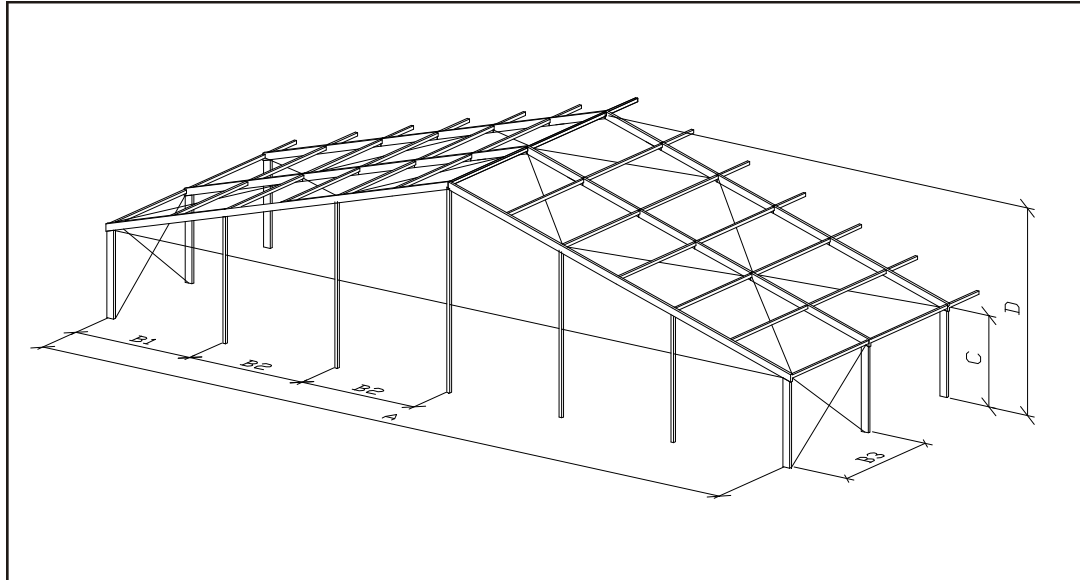
Wind load acc. to DIN EN 13782  
Min. length 20.00 m  
Max. length unlimited in truss-distance

Subject to technical modifications!



# maxiflex Party and Exhibition Hall

Type: 30.5/400 · Model: 312



## System Measures

Width	(A)	30.18 m
Eave height	(C)	3.86 m
Ridge height	(D)	8.76 m
Gable truss	(B1)	5.09 m
Gable truss	(B2)	5.00 m
Truss-distance	(B3)	5.00 m
Roof slope		18.00 °
Longest component		10.61 m
Truss profile		300 x 120 mm

## Technical Description

### Aluminium Profiles

Solid, hard pressed  
4-groove aluminium hollow profile

### Steel Parts

hot-dip galvanized according to DIN EN ISO 1461

### Ground Anchoring

Ground stakes or weight anchoring upon request

## Load Requirements/Technical Data

Wind load acc. to DIN EN 13782  
Min. length 20.00 m  
Max. length unlimited in truss-distance

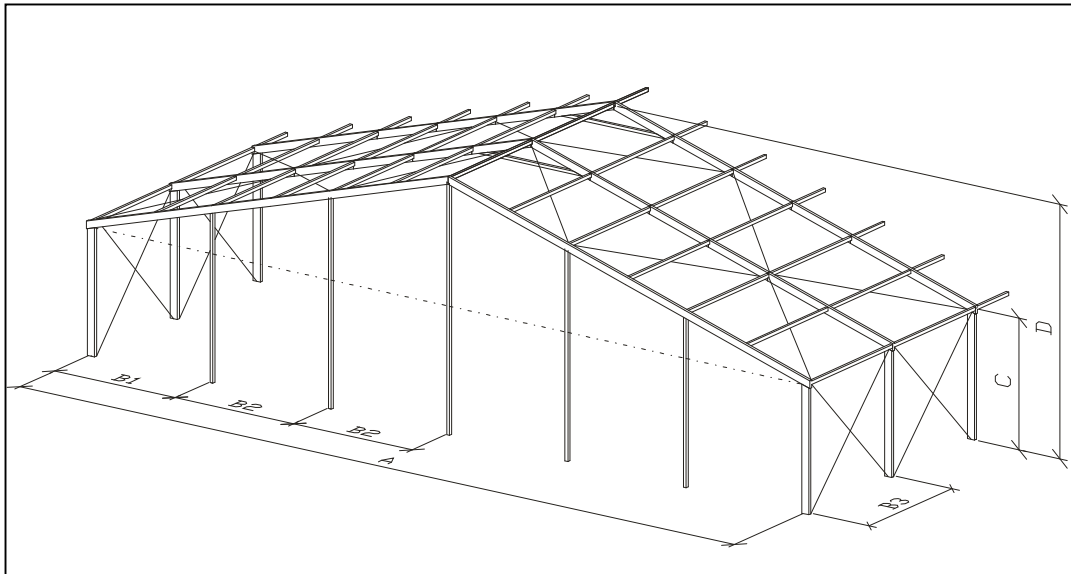
Subject to technical modifications!



LOSBERGER DE BOER

# maxiflex Party and Exhibition Hall

Type: 30.5/540 · Model: 317



## System Measures

Width	(A)	30.18 m
Eave height	(C)	5.26 m
Ridge height	(D)	10.18 m
Gable truss	(B1)	5.09 m
Gable truss	(B2)	5.00 m
Truss-distance	(B3)	5.00 m
Roof slope		18.00 °
Longest component		10.61 m
Truss profile		300 x 120 mm

## Technical Description

### Aluminium Profiles

Solid, hard pressed  
4-groove aluminium hollow profile

### Steel Parts

hot-dip galvanized according to DIN EN ISO 1461

### Ground Anchoring

Ground stakes or weight anchoring upon request

## Load Requirements/Technical Data

Wind load acc. to DIN EN 13782  
Min. length 20.00 m  
Max. length unlimited in truss-distance

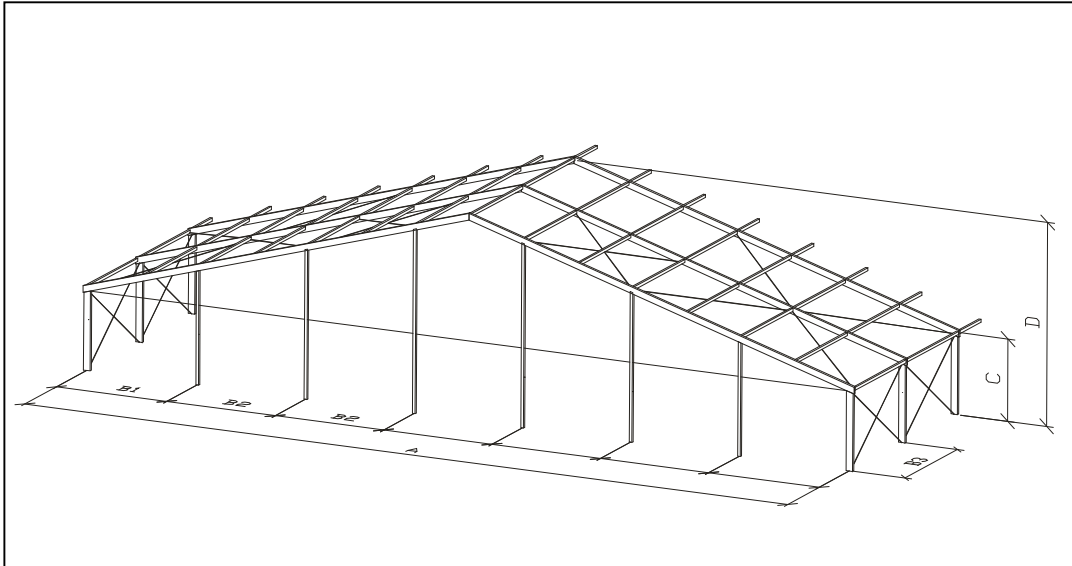
Subject to technical modifications!



LOSBERGER DE BOER

# maxiflex Party and Exhibition Hall

Type: 35.5/400 · Model: 802



## System Measures

Width	(A)	35.18 m
Eave height	(C)	3.86 m
Ridge height	(D)	9.58 m
Gable truss	(B1)	5.09 m
Gable truss	(B2)	5.00 m
Truss-distance	(B3)	5.00 m
Roof slope		18.00 °
Longest component		11.80 m
Truss profile		300 x 120 mm

## Technical Description

### Aluminium Profiles

Solid, hard pressed  
4-groove aluminium hollow profile

### Steel Parts

hot-dip galvanized according to DIN EN ISO 1461

### Ground Anchoring

Ground stakes or weight anchoring upon request

## Load Requirements/Technical Data

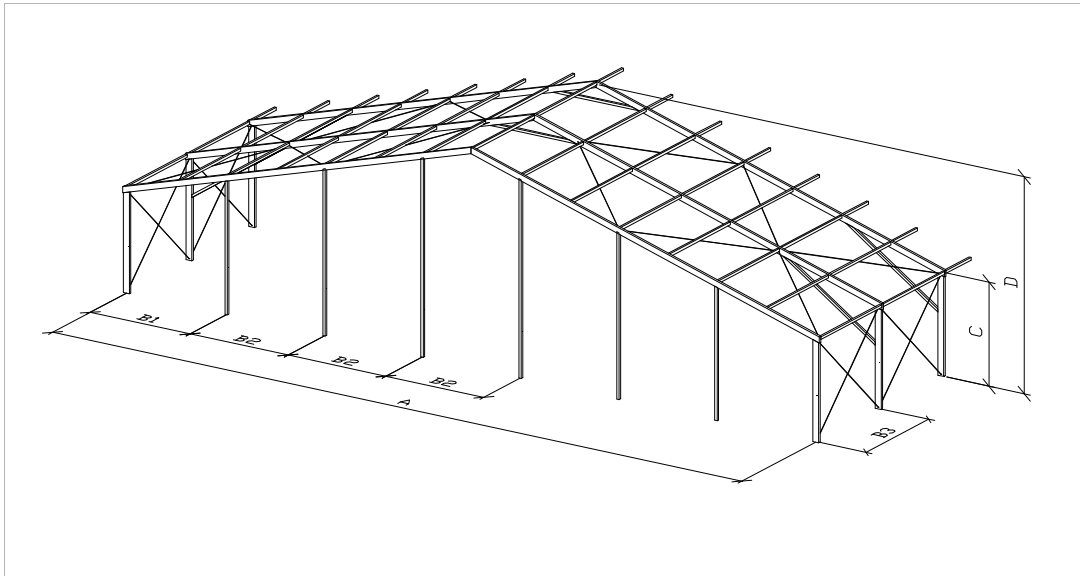
Wind load acc. to DIN EN 13782  
Min. length 20.00 m  
Max. length unlimited in truss-distance

Subject to technical modifications!



# maxiflex Party and Exhibition Hall

Type: 35,5/540 · Model: XXX



## System Measures

Width	(A)	35.18 m
Eave height	(C)	5.26 m
Ridge height	(D)	10.98 m
Gable truss	(B1)	5.09 m
Gable truss	(B2)	5.00 m
Truss-distance	(B3)	5.00 m
Roof slope		18.00 °
Longest component		10.80 m
Truss profile		300 x 120 mm

## Technical Description

### Aluminium Profiles

Solid, hard pressed  
4-groove aluminium hollow profile

### Steel Parts

hot-dip galvanized according to DIN EN ISO 1461

### Ground Anchoring

Ground stakes or weight anchoring upon request

## Load Requirements/Technical Data

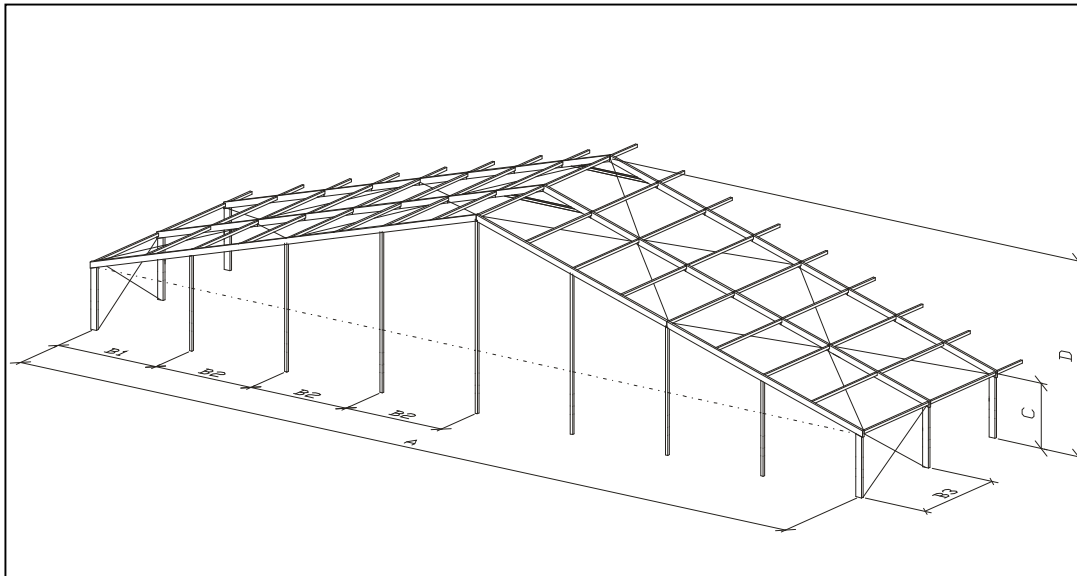
Wind load acc. to DIN EN 13782  
Min. length 20.00 m  
Max. length unlimited in truss-distance

Subject to technical modifications!



# maxiflex Party and Exhibition Hall

Type: 40.5/340 · Model: 151



## System Measures

Width	(A)	40.18 m
Eave height	(C)	3.26 m
Ridge height	(D)	9.78 m
Gable truss	(B1)	5.09 m
Gable truss	(B2)	5.00 m
Truss-distance	(B3)	5.00 m
Roof slope		18.00 °
Longest component		10.61 m
Truss profile		300 x 120 mm

## Technical Description

### Aluminium Profiles

Solid, hard pressed  
4-groove aluminium hollow profile

### Steel Parts

hot-dip galvanized according to DIN EN ISO 1461

### Ground Anchoring

Ground stakes or weight anchoring upon request

## Load Requirements/Technical Data

Wind load acc. to DIN EN 13782  
Min. length 20.00 m  
Max. length unlimited in truss-distance

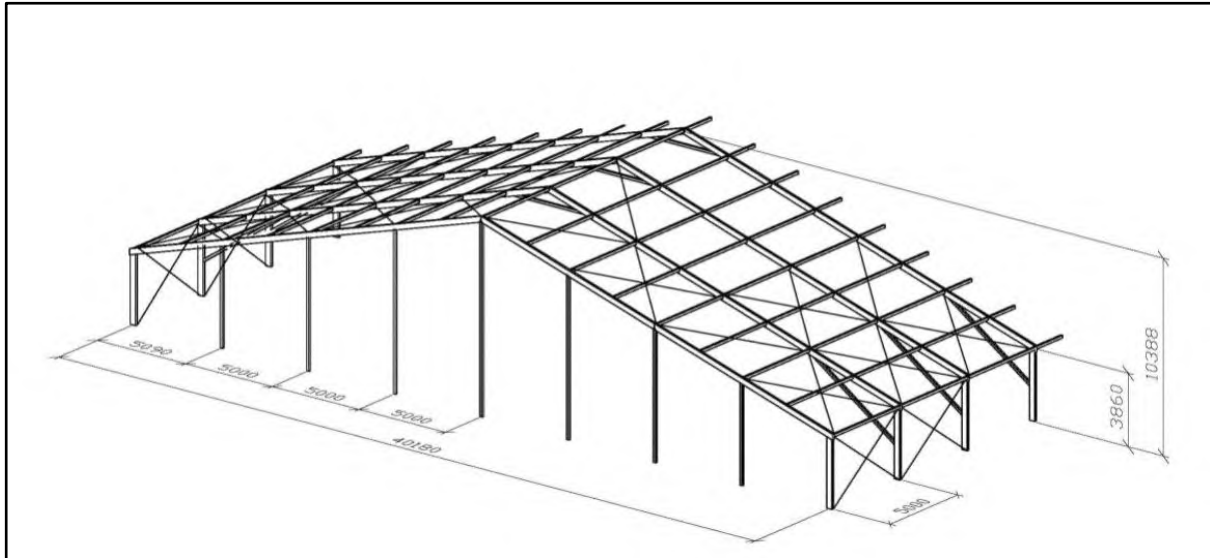
Subject to technical modifications!



LOSBERGER DE BOER

# maxiflex Party and Exhibition Hall

Type: 40.5/400 · Model: 313



## System Measures

Width	(A)	40.18 m
Eave height	(C)	3.86 m
Ridge height	(D)	10.38 m
Gable truss	(B1)	5.09 m
Gable truss	(B2)	5.00 m
Truss-distance	(B3)	5.00 m
Roof slope		18.00 °
Longest component		10.61 m
Truss profile		300 x 120 mm

## Technical Description

### Aluminium Profiles

Solid, hard pressed  
4-groove aluminium hollow profile

### Steel Parts

hot-dip galvanized according to DIN EN ISO 1461

### Ground Anchoring

Ground stakes or weight anchoring upon request

## Load Requirements/Technical Data

Wind load acc. to DIN EN 13782  
Min. length 20.00 m  
Max. length unlimited in truss-distance

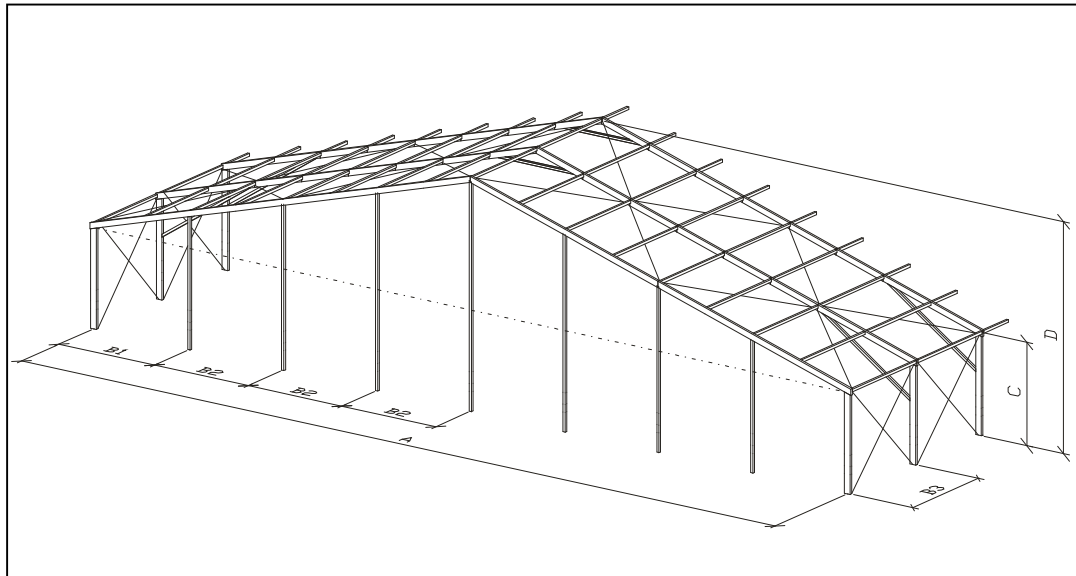
Subject to technical modifications!





# maxiflex Party and Exhibition Hall

Type: 40.5/540 · Model: 194



## System Measures

Width	(A)	40.18 m
Eave height	(C)	5.26 m
Ridge height	(D)	11.78 m
Gable truss	(B1)	5.09 m
Gable truss	(B2)	5.00 m
Truss-distance	(B3)	5.00 m
Roof slope		18.00 °
Longest component		11.60 m
Truss profile		300 x 120 mm

## Technical Description

### Aluminium Profiles

Solid, hard pressed  
4-groove aluminium hollow profile

### Steel Parts

hot-dip galvanized according to DIN EN ISO 1461

### Ground Anchoring

Ground stakes or weight anchoring upon request

## Load Requirements/Technical Data

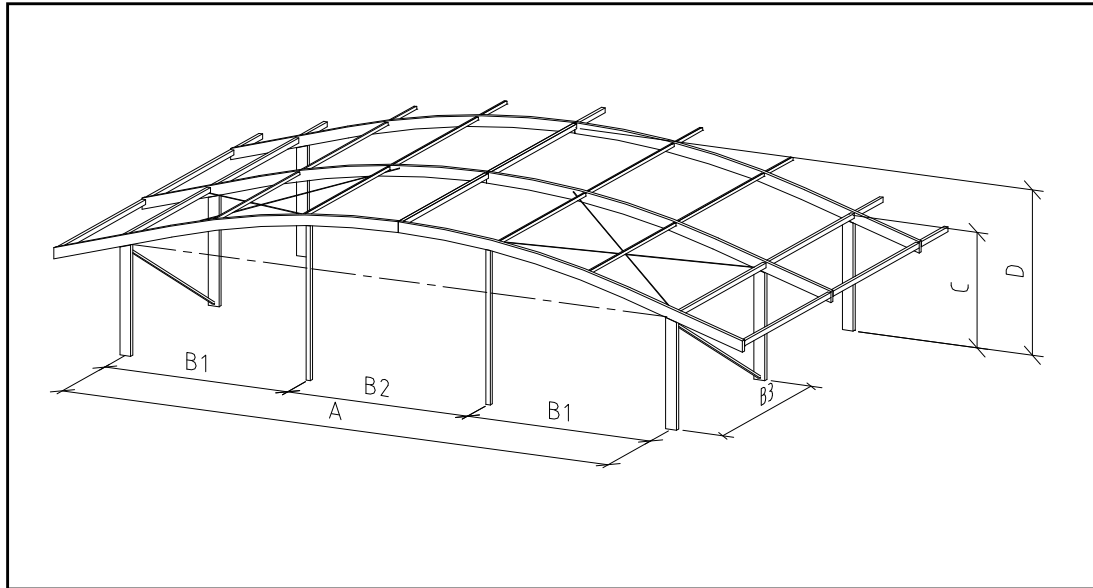
Wind load acc. to DIN EN 13782  
Min. length 20.00 m  
Max. length unlimited in truss-distance

Subject to technical modifications!



# maxiflex Arcum

Type: 15.5/340 · Model: XXX



## System Measures

Width	(A)	15.18 m
Eave height	(C)	3.26 m
Ridge height	(D)	4.67 m
Gable truss	(B1)	5.09 m
Gable truss	(B2)	5.00 m
Truss-distance	(B3)	5.00 m
Roof slope		- °
Longest component		9.86 m
Truss profile		300 x 120 mm

## Technical Description

### Aluminium Profiles

Solid, hard pressed  
4-groove aluminium hollow profile

### Steel Parts

hot-dip galvanized according to DIN EN ISO 1461

### Ground Anchoring

Ground stakes or weight anchoring upon request

## Load Requirements/Technical Data

Wind load acc. to DIN EN 13782  
Min. length 10.00 m  
Max. length unlimited in truss-distance

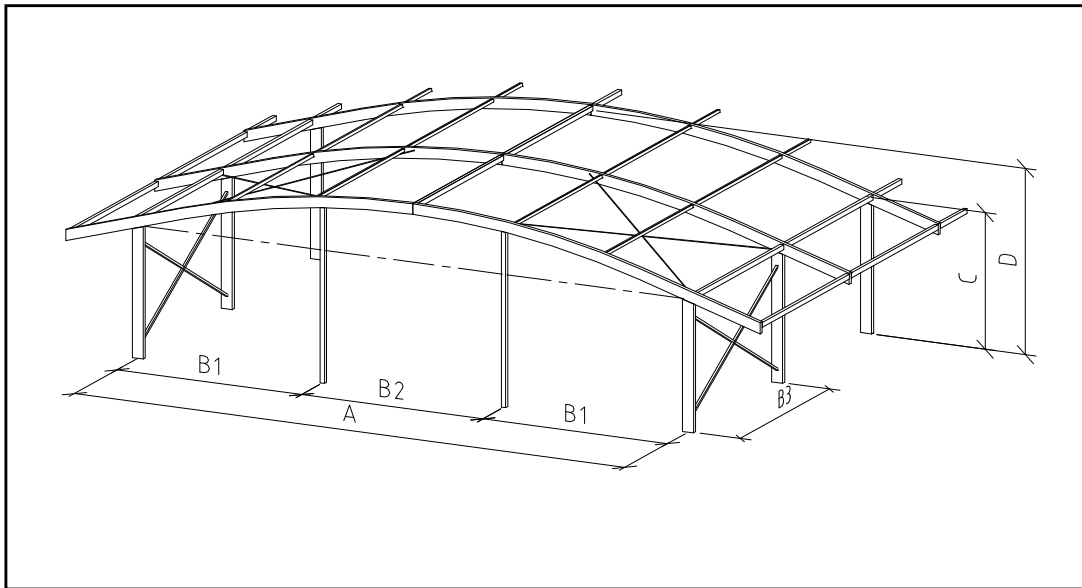
Subject to technical modifications!



LOSBERGER DE BOER

# maxiflex Arcum

Type: 15.5/400 · Model: XXX



## System Measures

Width	(A)	15.18 m
Eave height	(C)	3.86 m
Ridge height	(D)	5.27 m
Gable truss	(B1)	5.09 m
Gable truss	(B2)	5.00 m
Truss-distance	(B3)	5.00 m
Roof slope		- °
Longest component		9.86 m
Truss profile		300 x 120 mm

## Technical Description

### Aluminium Profiles

Solid, hard pressed  
4-groove aluminium hollow profile

### Steel Parts

hot-dip galvanized according to DIN EN ISO 1461

### Ground Anchoring

Ground stakes or weight anchoring upon request

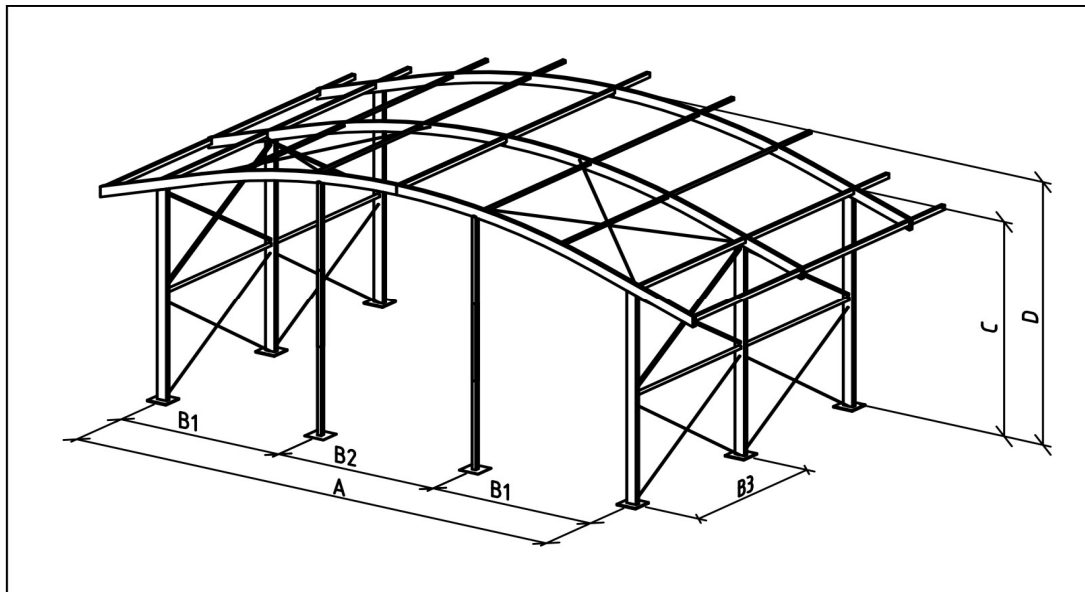
## Load Requirements/Technical Data

Wind load acc. to DIN EN 13782  
Min. length 10.00 m  
Max. length unlimited in truss-distance

Subject to technical modifications!

# maxiflex Arcum

Type: 15,5/680 · Model: XXX



## System Measures

Width	(A)	15.18 m
Eave height	(C)	6.64 m
Ridge height	(D)	8.05 m
Gable truss	(B1)	5.09 m
Gable truss	(B2)	5.00 m
Truss-distance	(B3)	5.00 m
Longest component		9.80 m
Truss profile		300 x 120 mm

## Technical Description

### Aluminium Profiles

Solid, hard pressed  
4-groove aluminium hollow profile

### Steel Parts

hot-dip galvanized according to DIN EN ISO 1461

### Ground Anchoring

Ground stakes or weight anchoring upon request

## Load Requirements/Technical Data

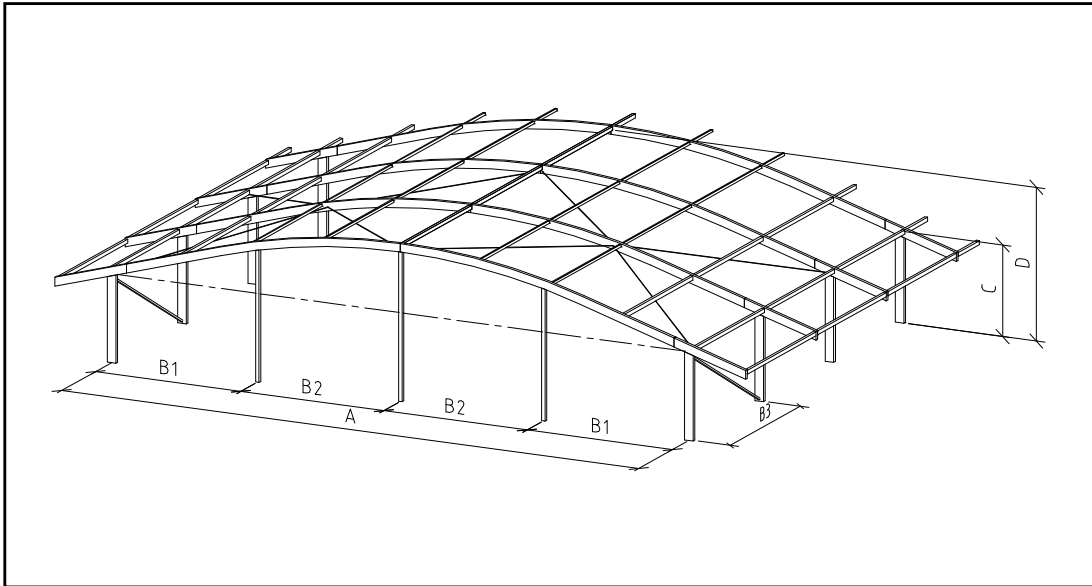
Wind load acc. to	DIN EN 13782
Min. length	10.00 m
Max. length	unlimited in truss-distance

Subject to technical modifications!



# maxiflex Arcum

Type: 20.5/340 · Model: XXX



## System Measures

Width	(A)	20.18 m
Eave height	(C)	3.26 m
Ridge height	(D)	5.47 m
Gable truss	(B1)	5.09 m
Gable truss	(B2)	5.00 m
Truss-distance	(B3)	5.00 m
Roof slope		- °
Longest component		9.86 m
Truss profile		300 x 120 mm

## Technical Description

### Aluminium Profiles

Solid, hard pressed  
4-groove aluminium hollow profile

### Steel Parts

hot-dip galvanized according to DIN EN ISO 1461

### Ground Anchoring

Ground stakes or weight anchoring upon request

## Load Requirements/Technical Data

Wind load acc. to DIN EN 13782  
Min. length 20.00 m  
Max. length unlimited in truss-distance

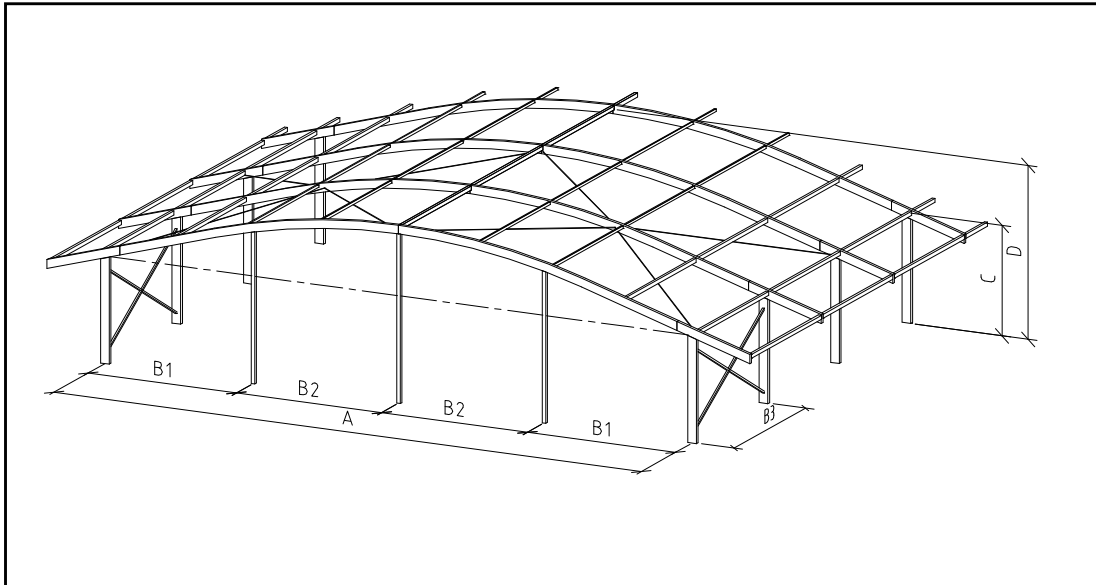
Subject to technical modifications!



LOSBERGER DE BOER

# maxiflex Arcum

Type: 20.5/400 · Model: XXX



## System Measures

Width	(A)	20.18 m
Eave height	(C)	3.86 m
Ridge height	(D)	6.07 m
Gable truss	(B1)	5.09 m
Gable truss	(B2)	5.00 m
Truss-distance	(B3)	5.00 m
Roof slope		- °
Longest component		9.86 m
Truss profile		300 x 120 mm

## Technical Description

### Aluminium Profiles

Solid, hard pressed  
4-groove aluminium hollow profile

### Steel Parts

hot-dip galvanized according to DIN EN ISO 1461

### Ground Anchoring

Ground stakes or weight anchoring upon request

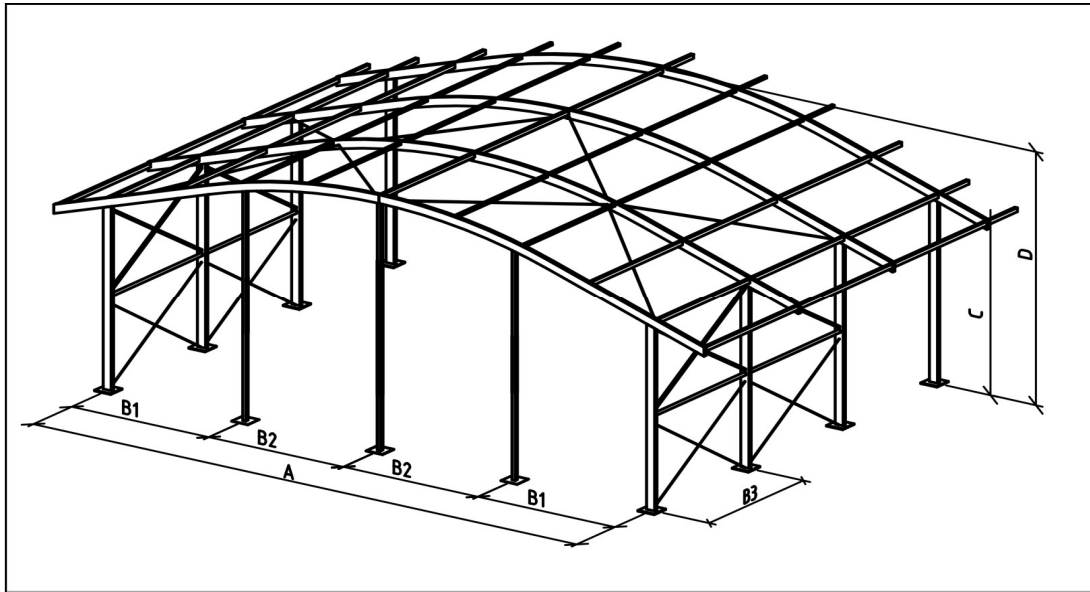
## Load Requirements/Technical Data

Wind load acc. to DIN EN 13782  
Min. length 20.00 m  
Max. length unlimited in truss-distance

Subject to technical modifications!

# maxiflex Arcum

Type: 20,5/680 · Model: XXX



## System Measures

Width	(A)	20.18 m
Eave height	(C)	6.64 m
Ridge height	(D)	8.86 m
Gable truss	(B1)	5.09 m
Gable truss	(B2)	5.00 m
Truss-distance	(B3)	5.00 m
Longest component		9.80 m
Truss profile		300 x 120 mm

## Technical Description

### Aluminium Profiles

Solid, hard pressed  
4-groove aluminium hollow profile

### Steel Parts

hot-dip galvanized according to DIN EN ISO 1461

### Ground Anchoring

Ground stakes or weight anchoring upon request

## Load Requirements/Technical Data

Wind load acc. to	DIN EN 13782
Min. length	10.00 m
Max. length	unlimited in truss-distance

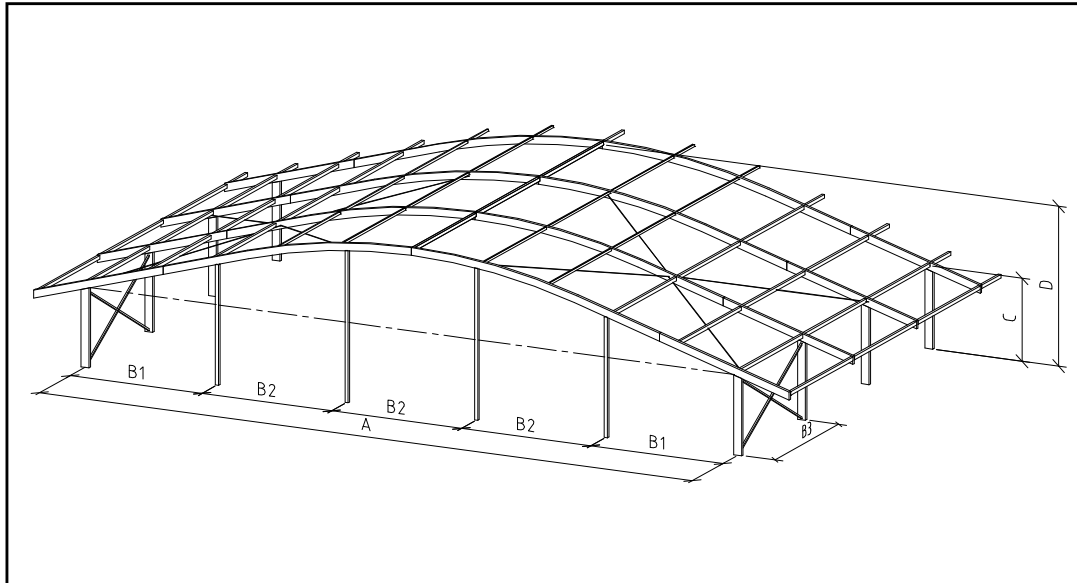
Subject to technical modifications!



LOSBERGER DE BOER

# maxiflex Arcum

Type: 25.5/340 · Model: XXX



## System Measures

Width	(A)	25.18 m
Eave height	(C)	3.26 m
Ridge height	(D)	6.29 m
Gable truss	(B1)	5.09 m
Gable truss	(B2)	5.00 m
Truss-distance	(B3)	5.00 m
Roof slope		- °
Longest component		9.86 m
Truss profile		300 x 120 mm

## Technical Description

### Aluminium Profiles

Solid, hard pressed  
4-groove aluminium hollow profile

### Steel Parts

hot-dip galvanized according to DIN EN ISO 1461

### Ground Anchoring

Ground stakes or weight anchoring upon request

## Load Requirements/Technical Data

Wind load acc. to DIN EN 13782  
Min. length 20.00 m  
Max. length unlimited in truss-distance

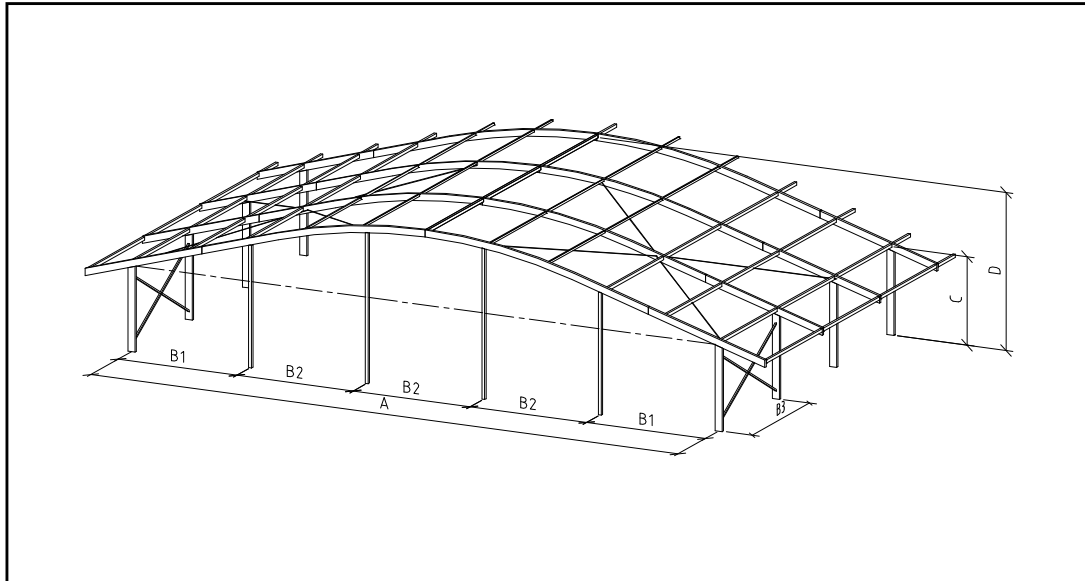
Subject to technical modifications!





# maxiflex Arcum

Type: 25.5/400 · Model: 816



## System Measures

Width	(A)	25.18 m
Eave height	(C)	3.86 m
Ridge height	(D)	6.89 m
Gable truss	(B1)	5.09 m
Gable truss	(B2)	5.00 m
Truss-distance	(B3)	5.00 m
Roof slope		- °
Longest component		9.86 m
Truss profile		300 x 120 mm

## Technical Description

### Aluminium Profiles

Solid, hard pressed  
4-groove aluminium hollow profile

### Steel Parts

hot-dip galvanized according to DIN EN ISO 1461

### Ground Anchoring

Ground stakes or weight anchoring upon request

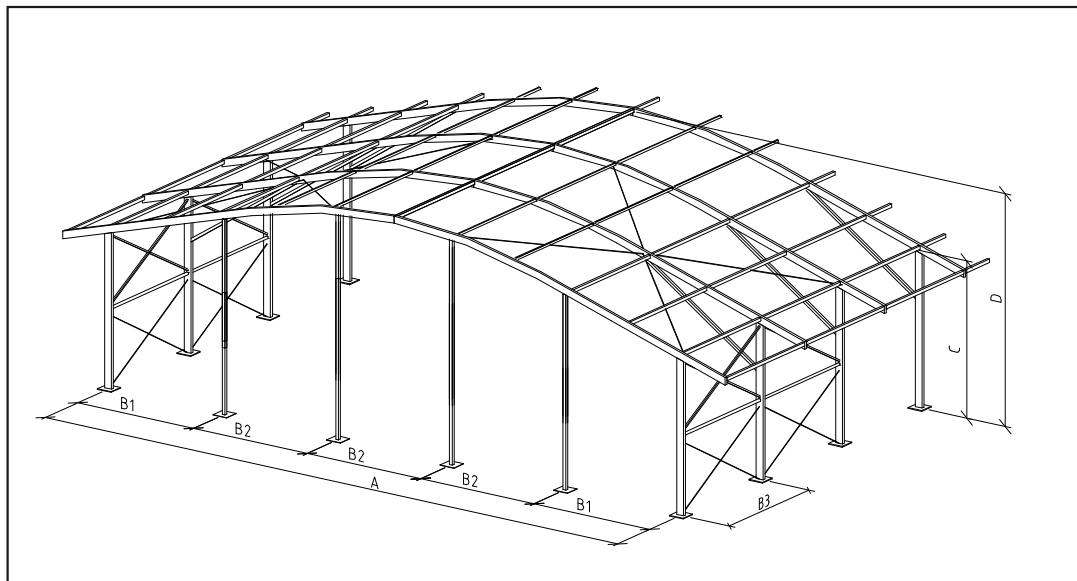
## Load Requirements/Technical Data

Wind load acc. to DIN EN 13782  
Min. length 20.00 m  
Max. length unlimited in truss-distance

Subject to technical modifications!

# maxiflex Arcum

Type: 25,5/680 · Model: XXX



## System Measures

Width	(A)	25.18 m
Eave height	(C)	6.64 m
Ridge height	(D)	9.67 m
Gable truss	(B1)	5.09 m
Gable truss	(B2)	5.00 m
Truss-distance	(B3)	5.00 m
Longest component		9.80 m
Truss profile		300 x 120 mm

## Technical Description

### Aluminium Profiles

Solid, hard pressed  
4-groove aluminium hollow profile

### Steel Parts

hot-dip galvanized according to DIN EN ISO 1461

### Ground Anchoring

Ground stakes or weight anchoring upon request

## Load Requirements/Technical Data

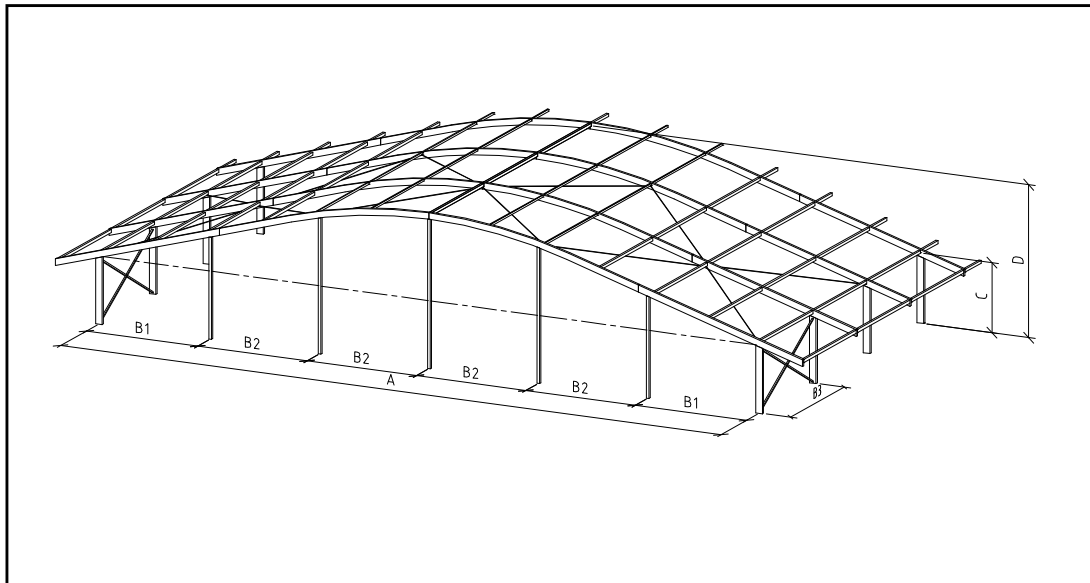
Wind load acc. to	DIN EN 13782
Min. length	20.00 m
Max. length	unlimited in truss-distance

Subject to technical modifications!



# maxiflex Arcum

Type: 30.5/340 · Model: XXX



## System Measures

Width	(A)	30.18 m
Eave height	(C)	3.26 m
Ridge height	(D)	7.11 m
Gable truss	(B1)	5.09 m
Gable truss	(B2)	5.00 m
Truss-distance	(B3)	5.00 m
Roof slope		- °
Longest component		9.86 m
Truss profile		300 x 120 mm

## Technical Description

### Aluminium Profiles

Solid, hard pressed  
4-groove aluminium hollow profile

### Steel Parts

hot-dip galvanized according to DIN EN ISO 1461

### Ground Anchoring

Ground stakes or weight anchoring upon request

## Load Requirements/Technical Data

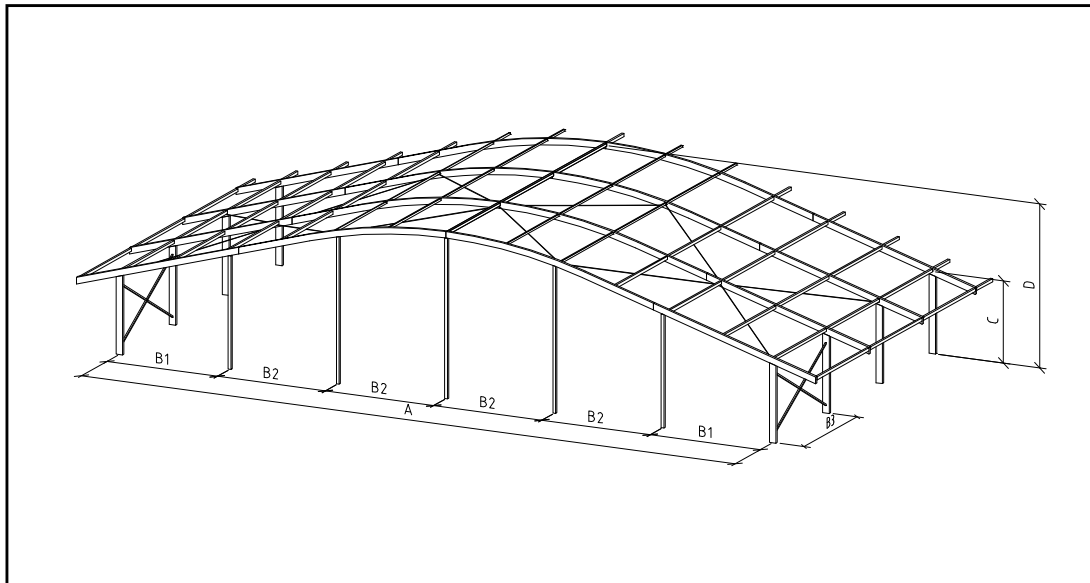
Wind load acc. to DIN EN 13782  
Min. length 20.00 m  
Max. length unlimited in truss-distance

Subject to technical modifications!



# maxiflex Arcum

Type: 30.5/400 · Model: 844



## System Measures

Width	(A)	30.18 m
Eave height	(C)	3.86 m
Ridge height	(D)	7.71 m
Gable truss	(B1)	5.09 m
Gable truss	(B2)	5.00 m
Truss-distance	(B3)	5.00 m
Roof slope		- °
Longest component		9.86 m
Truss profile		300 x 120 mm

## Technical Description

### Aluminium Profiles

Solid, hard pressed  
4-groove aluminium hollow profile

### Steel Parts

hot-dip galvanized according to DIN EN ISO 1461

### Ground Anchoring

Ground stakes or weight anchoring upon request

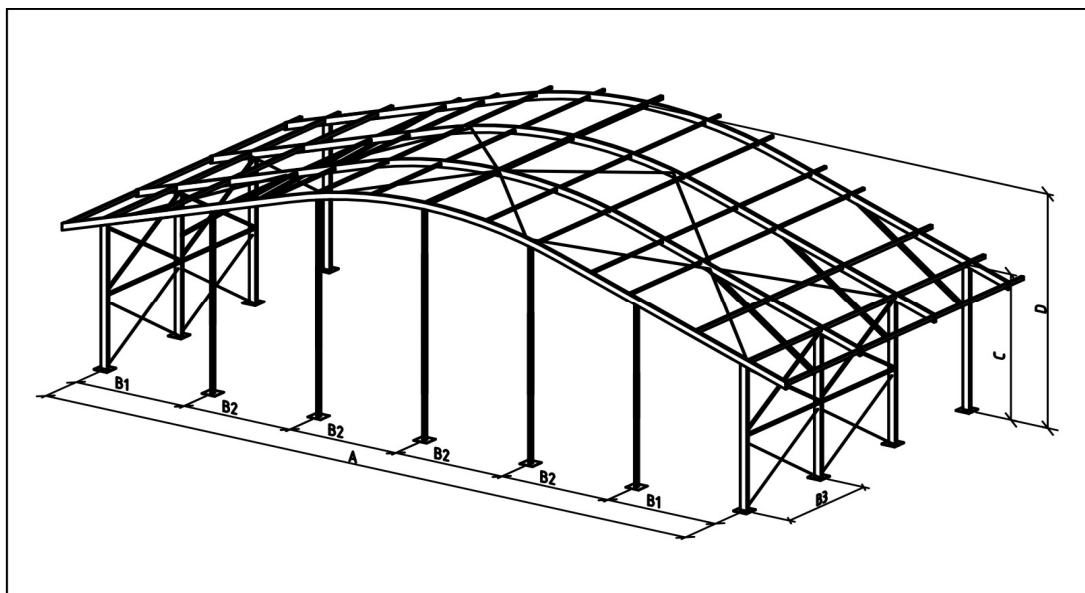
## Load Requirements/Technical Data

Wind load acc. to DIN EN 13782  
Min. length 20.00 m  
Max. length unlimited in truss-distance

Subject to technical modifications!

# maxiflex Arcum

Type: 30,5/680 · Model: XXX



## System Measures

Width	(A)	30,18 m
Eave height	(C)	6.64 m
Ridge height	(D)	10,49 m
Gable truss	(B1)	5.09 m
Gable truss	(B2)	5.00 m
Truss-distance	(B3)	5.00 m
Longest component		10,49 m
Truss profile		300 x 120 mm

## Technical Description

### Aluminium Profiles

Solid, hard pressed  
4-groove aluminium hollow profile

### Steel Parts

hot-dip galvanized according to DIN EN ISO 1461

### Ground Anchoring

Ground stakes or weight anchoring upon request

## Load Requirements/Technical Data

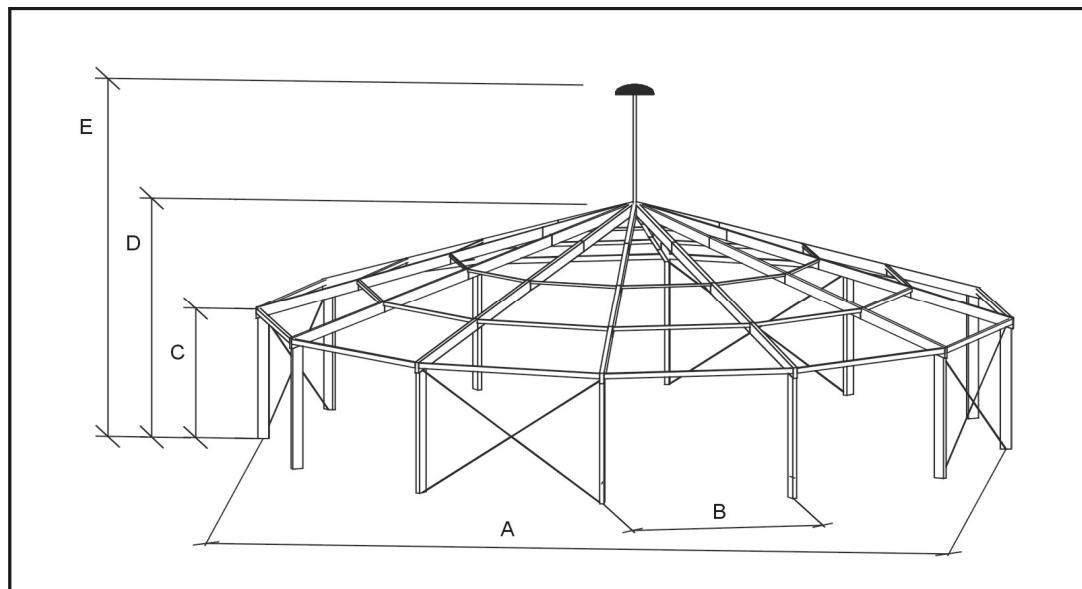
Wind load acc. to	DIN EN 13782
Min. length	20.00 m
Max. length	unlimited in truss-distance

Subject to technical modifications!



# maxiflex Domicile Party and Exhibition Hall

Type: 20.5/400 · Model: 779



## System Measures

Diameter	(A)	20.18 m
Eave height	(C)	3.86 m
Ridge height	(D)	7.14 m
Peak height	(E)	11.30 m
Truss-distance	(B)	5.22 m
Longest component		10.61 m
Truss profile		300 x 120 mm

## Technical Description

### Aluminium Profiles

Solid, hard pressed  
4-groove aluminium hollow profile

### Steel Parts

Hot-dip galvanized according to DIN EN ISO 1461

### Ground Anchoring

Ground stakes or weight anchoring upon request

## Load Requirements/Technical Data

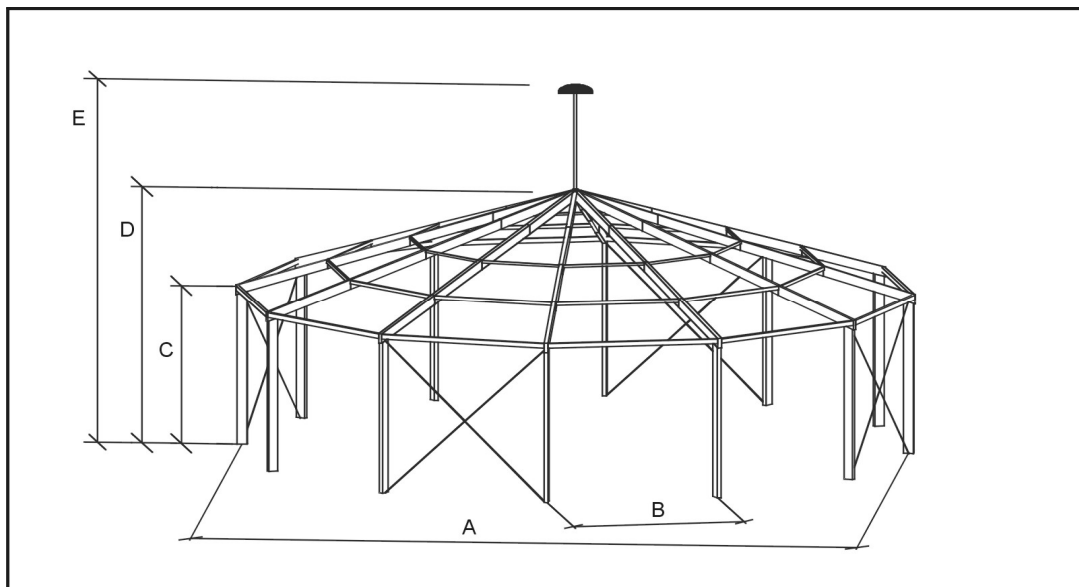
Wind load acc. to DIN EN 13782

Subject to technical modifications!



# maxiflex Domicile Party and Exhibition Hall

Type: 25.5/340 · Model: 781



## System Measures

Diameter	(A)	25.18 m
Eave height	(C)	3.26 m
Ridge height	(D)	7.35 m
Peak height	(E)	11.00 m
Truss-distance	(B)	4.91 m
Longest component		10.61 m
Truss profile		300 x 120 mm

## Technical Description

### Aluminium Profiles

Solid, hard pressed  
4-groove aluminium hollow profile

### Steel Parts

Hot-dip galvanized according to DIN EN ISO 1461

### Ground Anchoring

Ground stakes or weight anchoring upon request

## Load Requirements/Technical Data

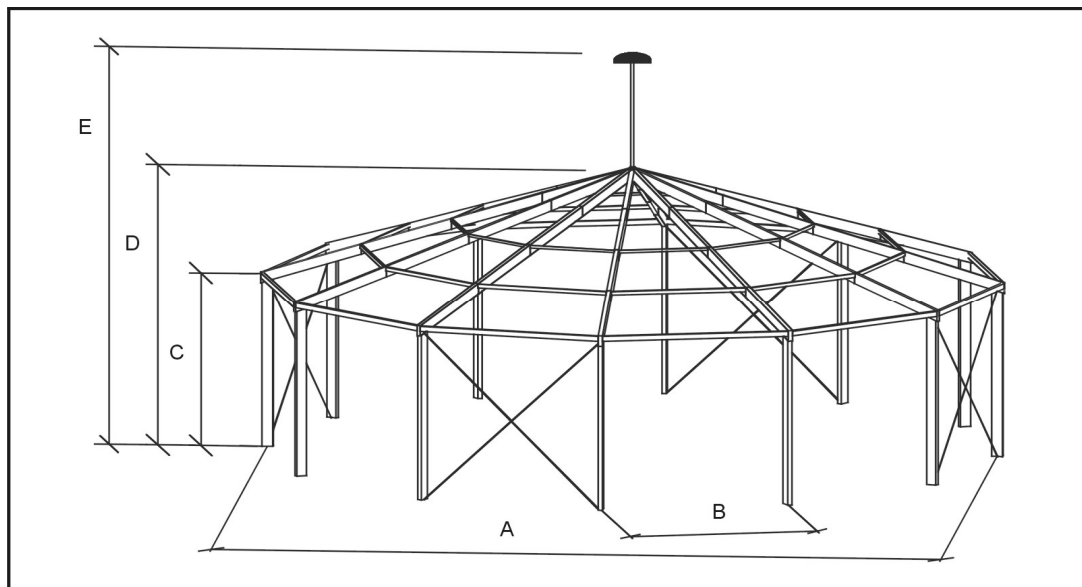
Wind load acc. to DIN EN 13782

Subject to technical modifications!



# maxiflex Domicile Party and Exhibition Hall

Type: 20.5/540 · Model: 780



## System Measures

Diameter	(A)	20.18 m
Eave height	(C)	5.26 m
Ridge height	(D)	8.53 m
Peak height	(E)	12.70 m
Truss-distance	(B)	5.22 m
Longest component		10.61 m
Truss profile		300 x 120 mm

## Technical Description

### Aluminium Profiles

Solid, hard pressed  
4-groove aluminium hollow profile

### Steel Parts

Hot-dip galvanized according to DIN EN ISO 1461

### Ground Anchoring

Ground stakes or weight anchoring upon request

## Load Requirements/Technical Data

Wind load acc. to DIN EN 13782

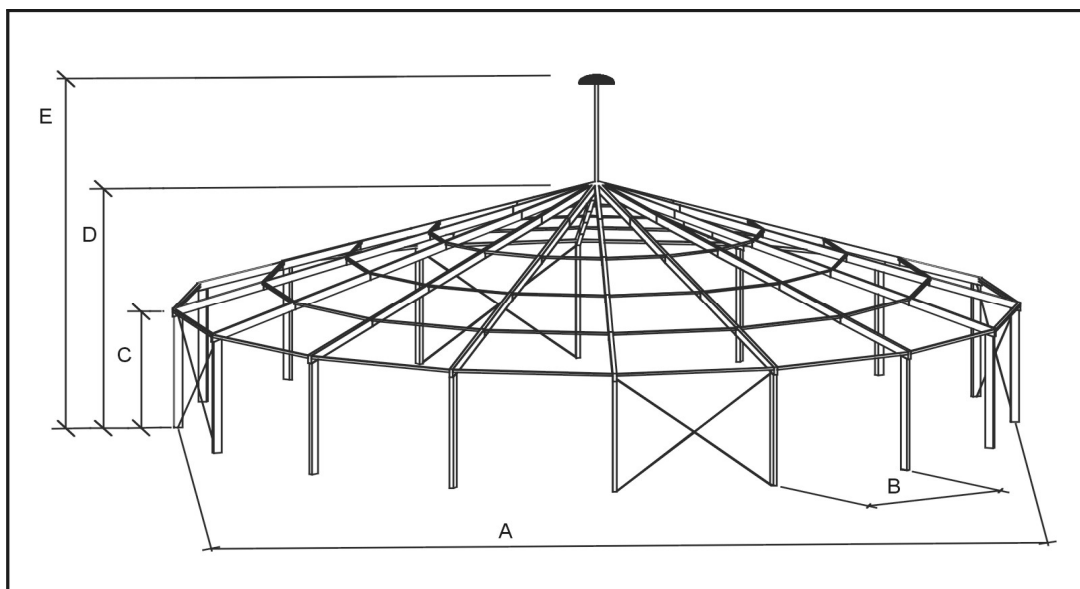
Subject to technical modifications!





# maxiflex Domicile Party and Exhibition Hall

Type: 25.5/400 · Model: 782



## System Measures

Diameter	(A)	25.18 m
Eave height	(C)	3.86 m
Ridge height	(D)	7.95 m
Peak height	(E)	11.60 m
Truss-distance	(B)	4.91 m
Longest component		10.61 m
Truss profile		300 x 120 mm

## Technical Description

### Aluminium Profiles

Solid, hard pressed  
4-groove aluminium hollow profile

### Steel Parts

Hot-dip galvanized according to DIN EN ISO 1461

### Ground Anchoring

Ground stakes or weight anchoring upon request

## Load Requirements/Technical Data

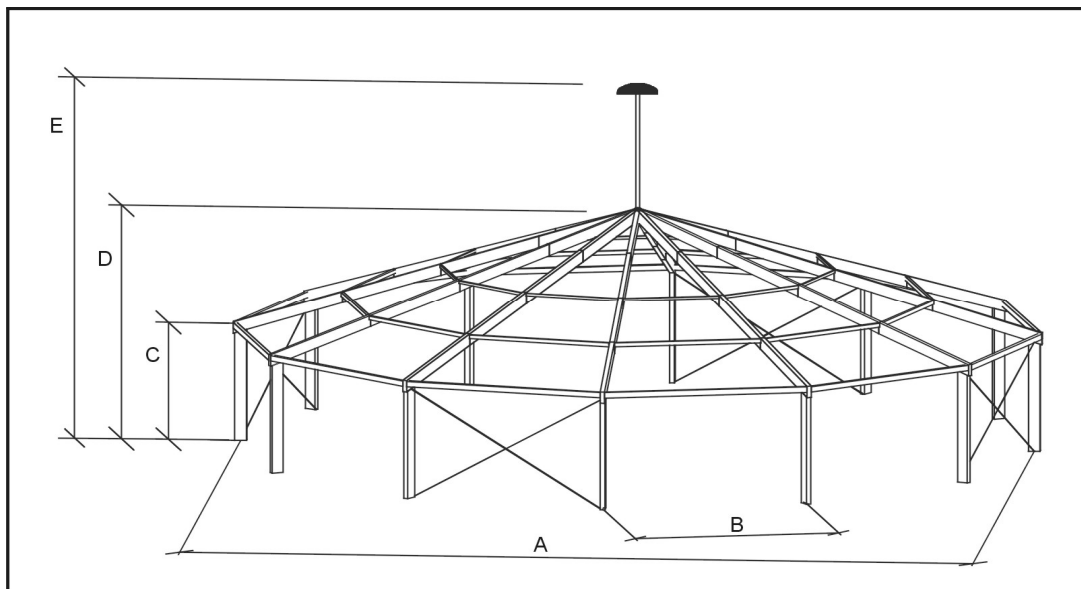
Wind load acc. to DIN EN 13782

Subject to technical modifications!



# maxiflex Domicile Party and Exhibition Hall

Type: 20.5/340 · Model: 778



## System Measures

Diameter	(A)	20.18 m
Eave height	(C)	3.26 m
Ridge height	(D)	6.53 m
Peak height	(E)	10.70 m
Truss-distance	(B)	5.22 m
Longest component		10.61 m
Truss profile		300 x 120 mm

## Technical Description

### Aluminium Profiles

Solid, hard pressed  
4-groove aluminium hollow profile

### Steel Parts

Hot-dip galvanized according to DIN EN ISO 1461

### Ground Anchoring

Ground stakes or weight anchoring upon request

## Load Requirements/Technical Data

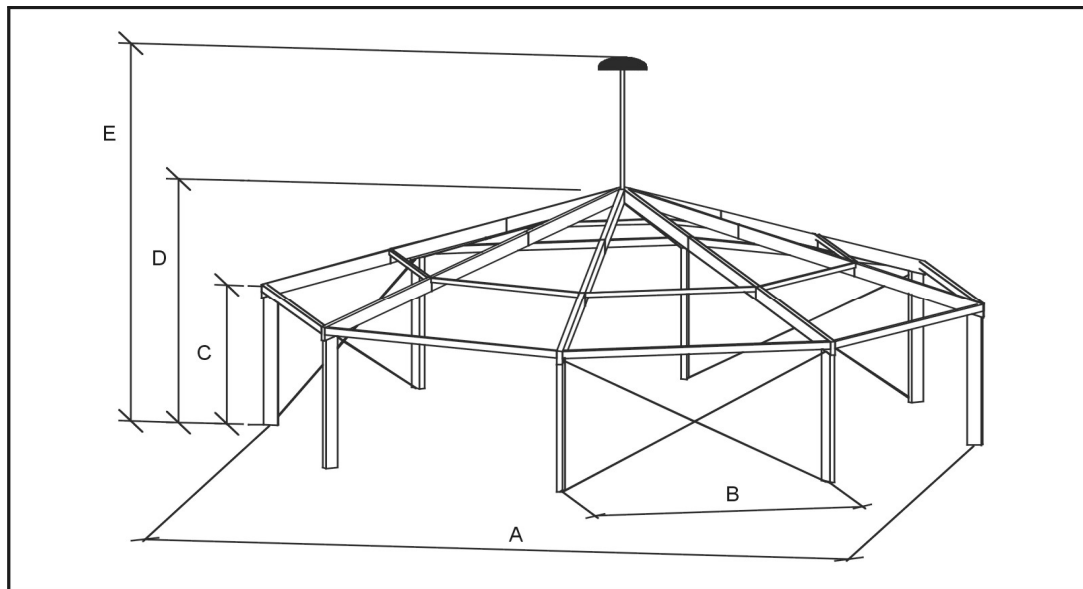
Wind load acc. to DIN EN 13782

Subject to technical modifications!



# maxiflex Domicile Party and Exhibition Hall

Type: 15.5/340 · Model: 775



## System Measures

Diameter	(A)	15.18 m
Eave height	(C)	3.26 m
Ridge height	(D)	5.72 m
Peak height	(E)	8.90 m
Truss-distance	(B)	5.81 m
Longest component		8.06 m
Truss profile		300 x 120 mm

## Technical Description

### Aluminium Profiles

Solid, hard pressed  
4-groove aluminium hollow profile

### Steel Parts

Hot-dip galvanized according to DIN EN ISO 1461

### Ground Anchoring

Ground stakes or weight anchoring upon request

## Load Requirements/Technical Data

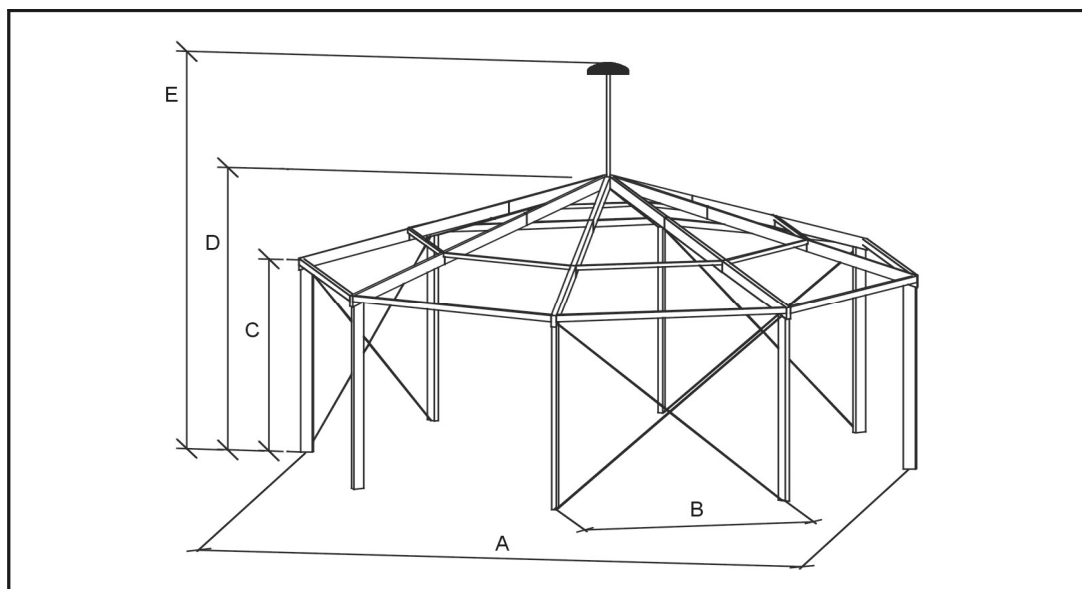
Wind load acc. to DIN EN 13782

Subject to technical modifications!



# maxiflex Domicile Party and Exhibition Hall

Type: 15.5/540 · Model: 777



## System Measures

Diameter	(A)	15.18 m
Eave height	(C)	5.26 m
Ridge height	(D)	7.72 m
Peak height	(E)	10.90 m
Truss-distance	(B)	5.81 m
Longest component		8.06 m
Truss profile		300 x 120 mm

## Technical Description

### Aluminium Profiles

Solid, hard pressed  
4-groove aluminium hollow profile

### Steel Parts

Hot-dip galvanized according to DIN EN ISO 1461

### Ground Anchoring

Ground stakes or weight anchoring upon request

## Load Requirements/Technical Data

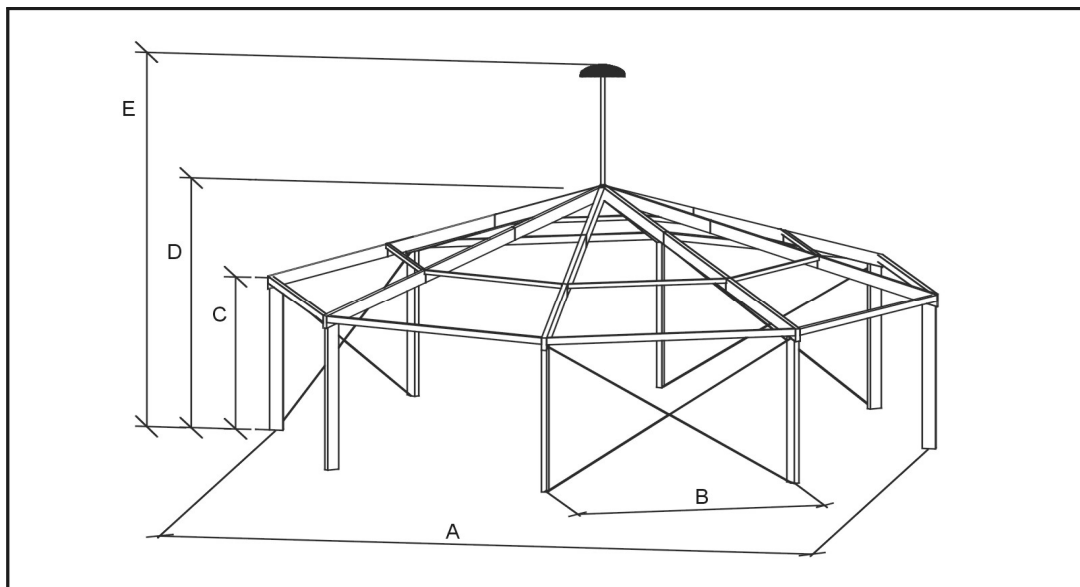
Wind load acc. to DIN EN 13782

Subject to technical modifications!



# maxiflex Domicile Party and Exhibition Hall

Type: 15.5/400 · Model: 776



## System Measures

Diameter	(A)	15.18 m
Eave height	(C)	3.86 m
Ridge height	(D)	6.32 m
Peak height	(E)	9.50 m
Truss-distance	(B)	5.81 m
Longest component		8.06 m
Truss profile		300 x 120 mm

## Technical Description

### Aluminium Profiles

Solid, hard pressed  
4-groove aluminium hollow profile

### Steel Parts

Hot-dip galvanized according to DIN EN ISO 1461

### Ground Anchoring

Ground stakes or weight anchoring upon request

## Load Requirements/Technical Data

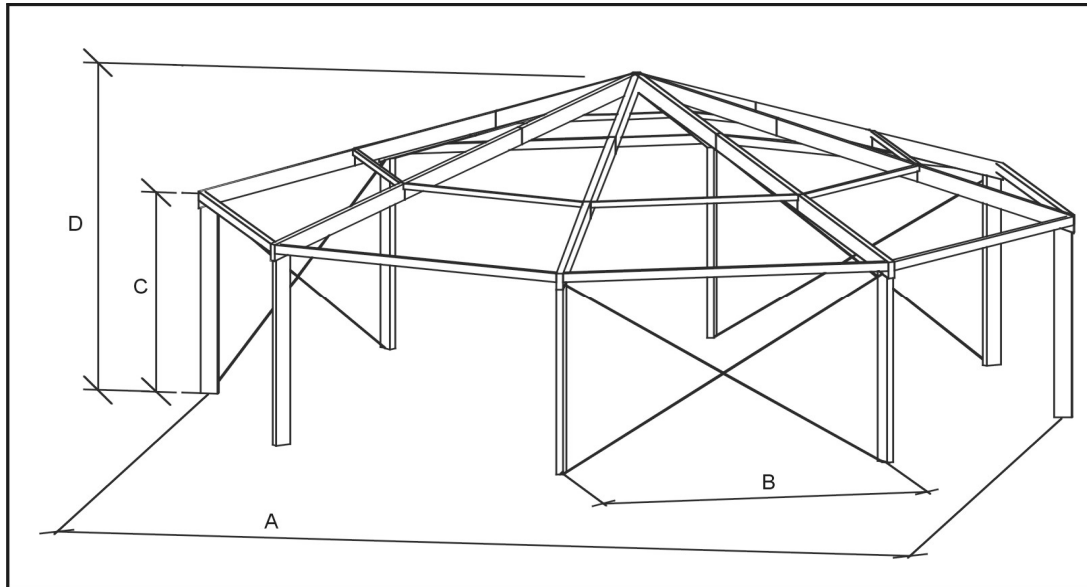
Wind load acc. to DIN EN 13782

Subject to technical modifications!



# maxiflex Rondo Party and Exhibition Hall

Type: 15.5/540 · Model: 419



## System Measures

Diameter	(A)	15.18 m
Eave height	(C)	5.26 m
Ridge height	(D)	7.72 m
Roof slope		18.00 °
Truss-distance	(B)	5.81 m
Longest component		8.06 m
Truss profile		300 x 120 mm

## Technical Description

### Aluminium Profiles

Solid, hard pressed  
4-groove aluminium hollow profile

### Steel Parts

Hot-dip galvanized according to DIN EN ISO 1461

### Ground Anchoring

Ground stakes or weight anchoring upon request

## Load Requirements/Technical Data

Wind load acc. to DIN EN 13782

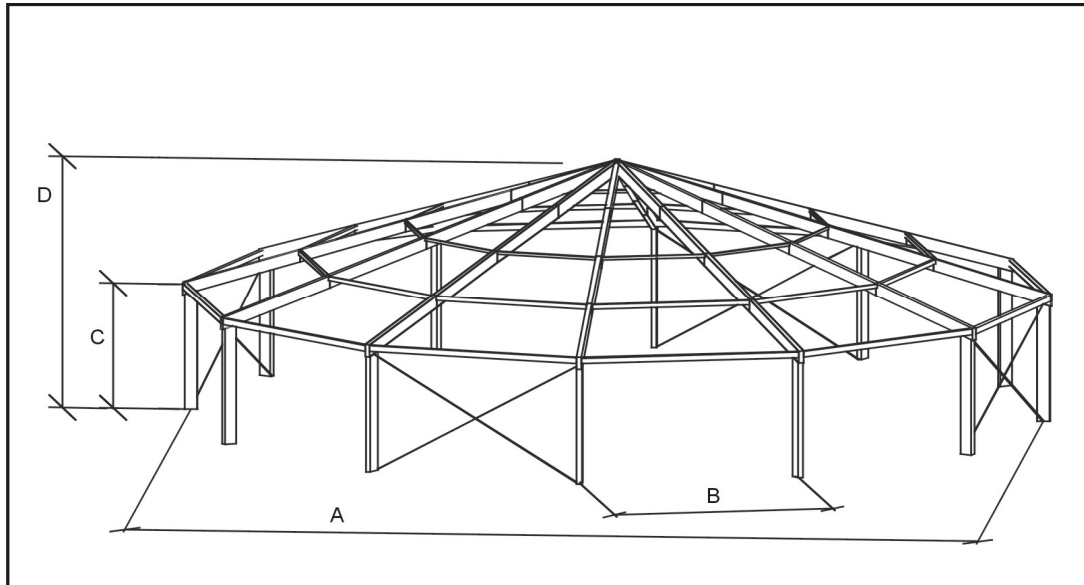
Rondo consists out of 2 Apses

Subject to technical modifications!



# maxiflex Rondo Party and Exhibition Hall

Type: 20.5/340 · Model: 155



## System Measures

Diameter	(A)	20.18 m
Eave height	(C)	3.26 m
Ridge height	(D)	6.53 m
Roof slope		18.00 °
Truss-distance	(B)	5.22 m
Longest component		10.61 m
Truss profile		300 x 120 mm

## Technical Description

### Aluminium Profiles

Solid, hard pressed  
4-groove aluminium hollow profile

### Steel Parts

Hot-dip galvanized according to DIN EN ISO 1461

### Ground Anchoring

Ground stakes or weight anchoring upon request

## Load Requirements/Technical Data

Wind load acc. to DIN EN 13782

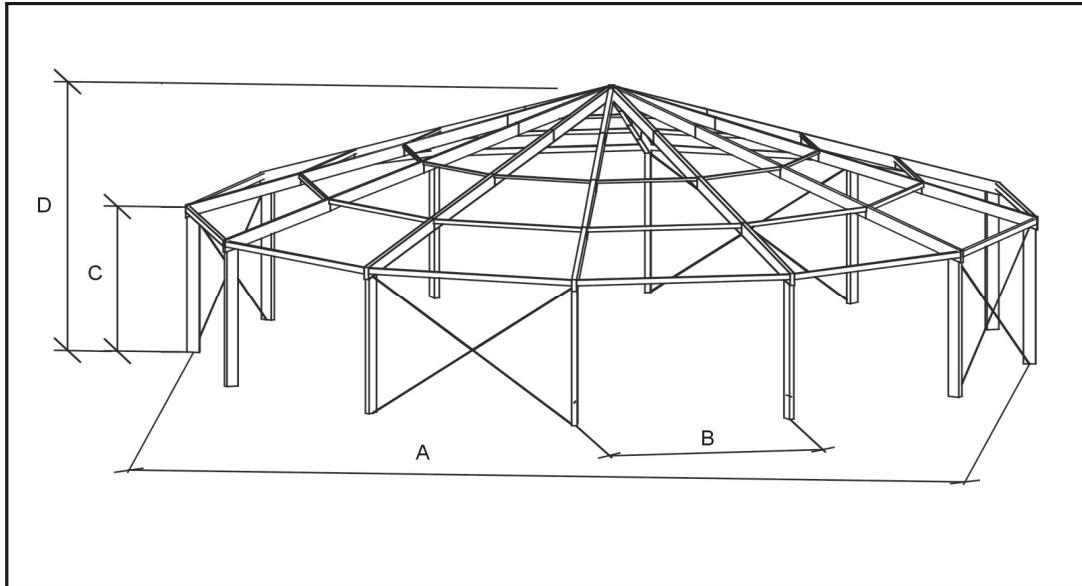
Rondo consists out of 2 Apses

Subject to technical modifications!



# maxiflex Rondo Party and Exhibition Hall

Type: 20.5/400 · Model: 156



## System Measures

Diameter	(A)	20.18 m
Eave height	(C)	3.86 m
Ridge height	(D)	7.14 m
Roof slope		18.00 °
Truss-distance	(B)	5.22 m
Longest component		10.61 m
Truss profile		300 x 120 mm

## Technical Description

### Aluminium Profiles

Solid, hard pressed  
4-groove aluminium hollow profile

### Steel Parts

Hot-dip galvanized according to DIN EN ISO 1461

### Ground Anchoring

Ground stakes or weight anchoring upon request

## Load Requirements/Technical Data

Wind load acc. to DIN EN 13782

Rondo consists out of 2 Apses

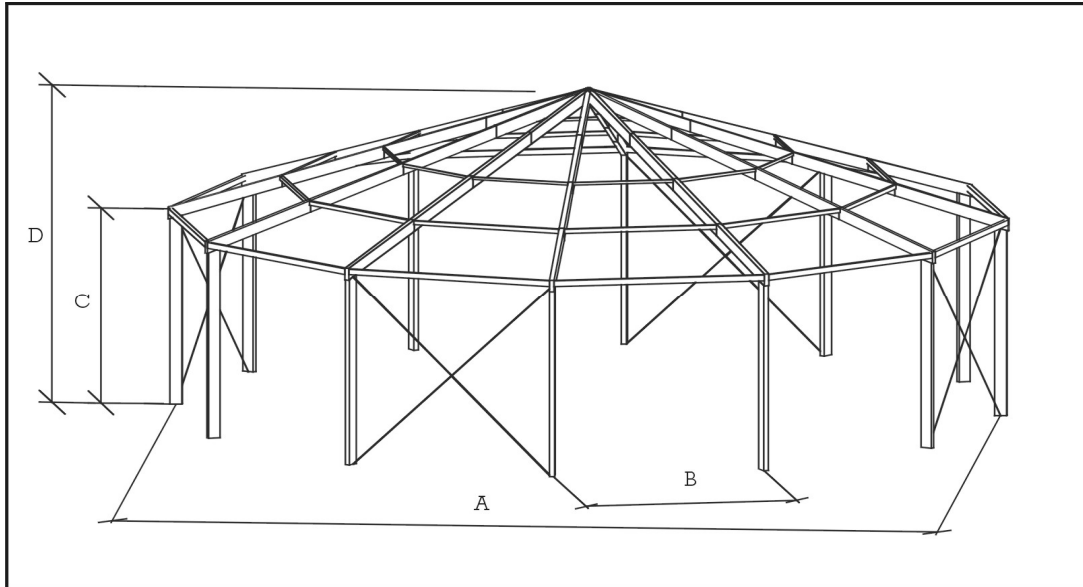
Subject to technical modifications!





# maxiflex Rondo Party and Exhibition Hall

Type: 20.5/540 · Model: 157



## System Measures

Diameter	(A)	20.18 m
Eave height	(C)	5.26 m
Ridge height	(D)	8.53 m
Roof slope		18.00 °
Truss-distance	(B)	5.22 m
Longest component		10.61 m
Truss profile		300 x 120 mm

## Technical Description

### Aluminium Profiles

Solid, hard pressed  
4-groove aluminium hollow profile

### Steel Parts

Hot-dip galvanized according to DIN EN ISO 1461

### Ground Anchoring

Ground stakes or weight anchoring upon request

## Load Requirements/Technical Data

Wind load acc. to DIN EN 13782

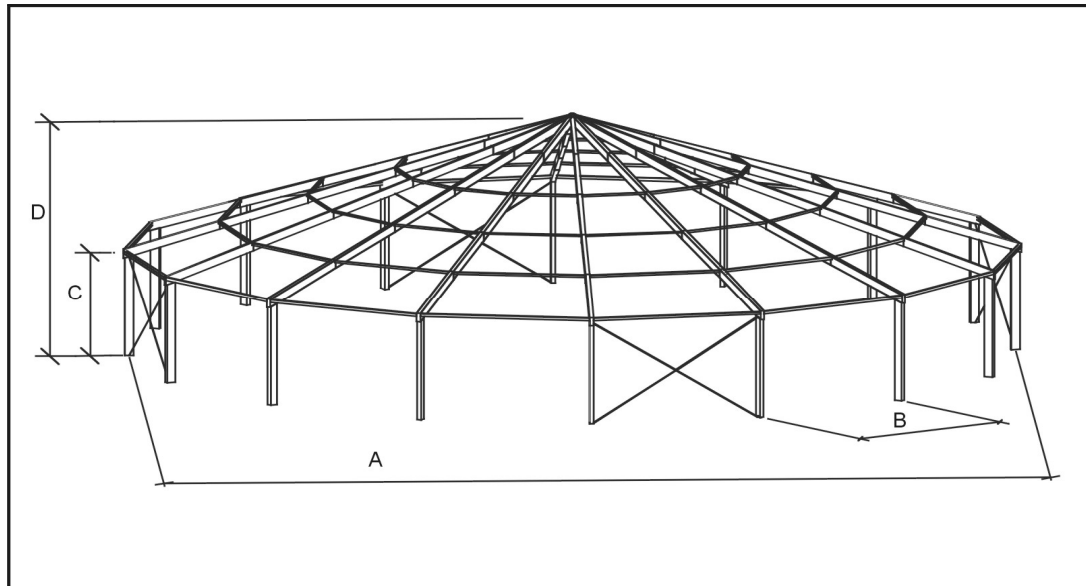
Rondo consists out of 2 Apses

Subject to technical modifications!



# maxiflex Rondo Party and Exhibition Hall

Type: 25.5/340 · Model: 414



## System Measures

Diameter	(A)	25.18 m
Eave height	(C)	3.26 m
Ridge height	(D)	7.35 m
Roof slope		18.00 °
Truss-distance	(B)	4.91 m
Longest component		10.61 m
Truss profile		300 x 120 mm

## Technical Description

### Aluminium Profiles

Solid, hard pressed  
4-groove aluminium hollow profile

### Steel Parts

Hot-dip galvanized according to DIN EN ISO 1461

### Ground Anchoring

Ground stakes or weight anchoring upon request

## Load Requirements/Technical Data

Wind load acc. to DIN EN 13782

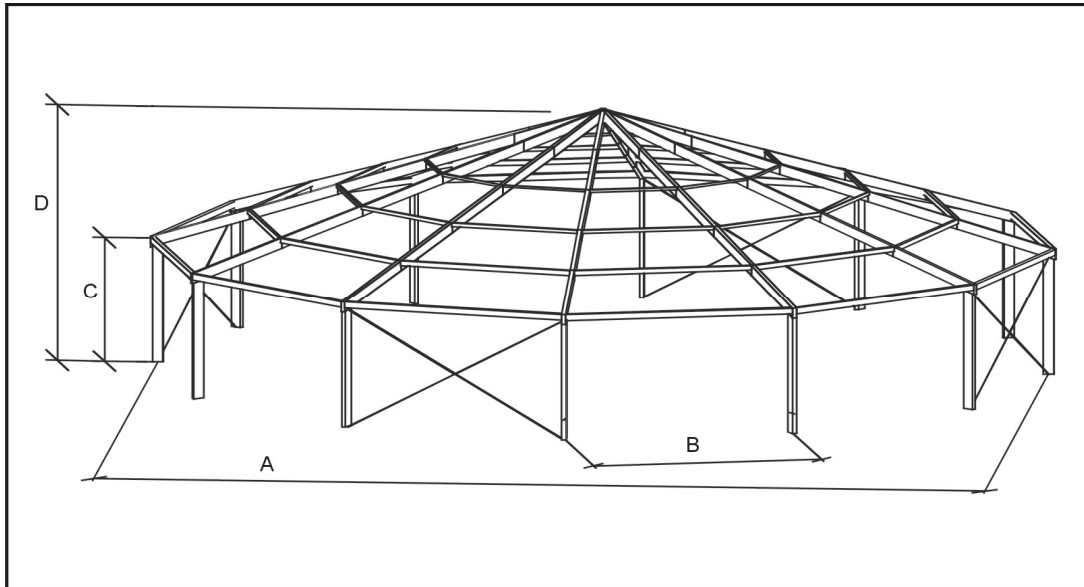
Rondo consists out of 2 Apses

Subject to technical modifications!



# maxiflex Rondo Party and Exhibition Hall

Type: 25.5/400 · Model: 415



## System Measures

Diameter	(A)	25.18 m
Eave height	(C)	3.86 m
Ridge height	(D)	7.95 m
Roof slope		18.00 °
Truss-distance	(B)	4.91 m
Longest component		10.61 m
Truss profile		300 x 120 mm

## Technical Description

### Aluminium Profiles

Solid, hard pressed  
4-groove aluminium hollow profile

### Steel Parts

Hot-dip galvanized according to DIN EN ISO 1461

### Ground Anchoring

Ground stakes or weight anchoring upon request

## Load Requirements/Technical Data

Wind load acc. to DIN EN 13782

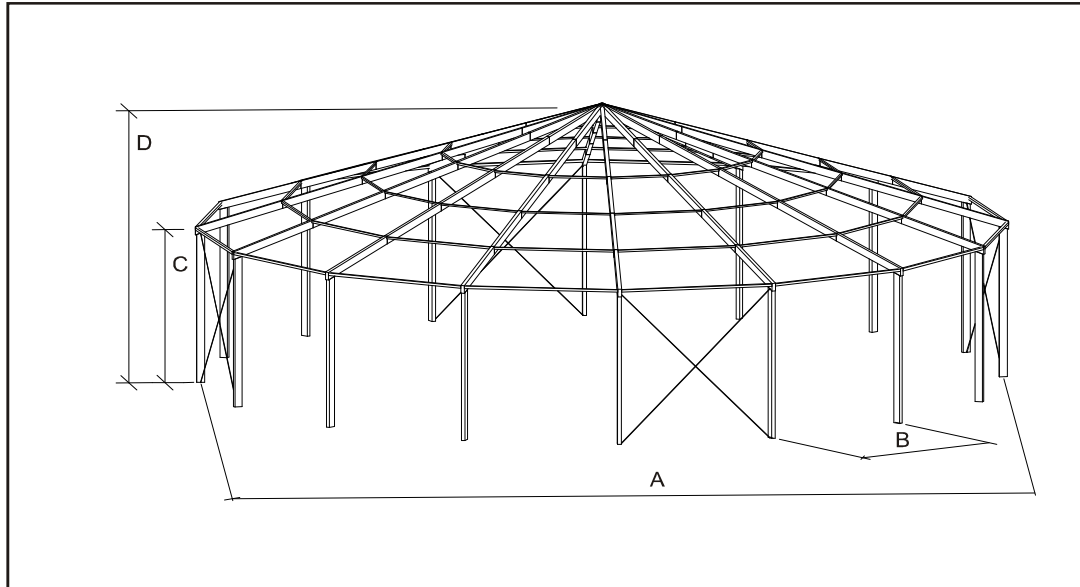
Rondo consists out of 2 Apses

Subject to technical modifications!



# maxiflex Rondo Party and Exhibition Hall

Type: 25.5/540 · Model: XXX



## System Measures

Diameter	(A)	25.18 m
Eave height	(C)	5.26 m
Ridge height	(D)	9.35 m
Roof slope		18.00 °
Truss-distance	(B)	4.91 m
Longest component		10.61 m
Truss profile		300 x 120 mm

## Technical Description

### Aluminium Profiles

Solid, hard pressed  
4-groove aluminium hollow profile

### Steel Parts

Hot-dip galvanized according to DIN EN ISO 1461

### Ground Anchoring

Ground stakes or weight anchoring upon request

## Load Requirements/Technical Data

Wind load acc. to DIN EN 13782

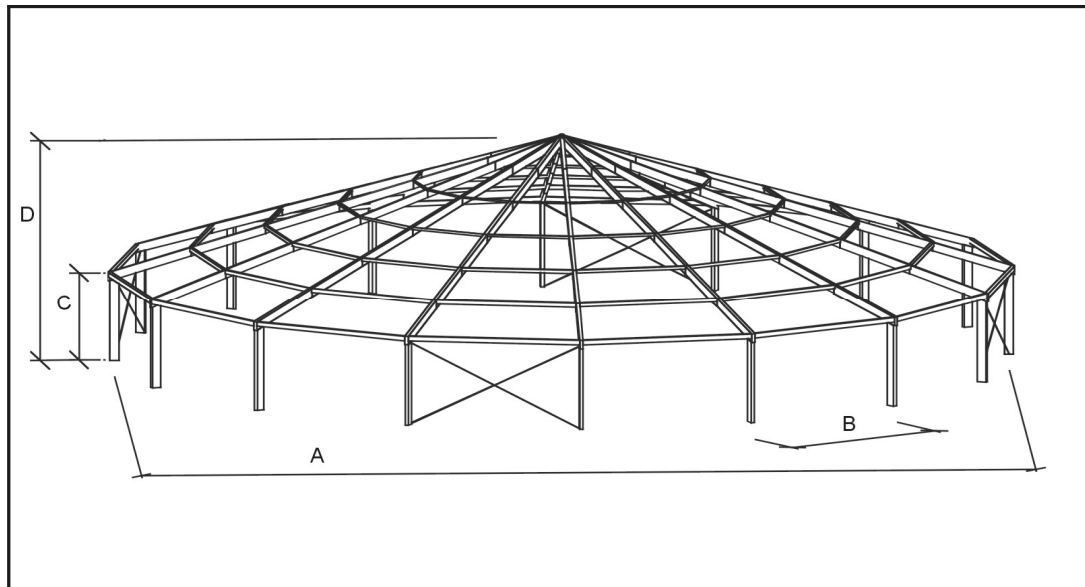
Rondo consists out of 2 Apses

Subject to technical modifications!



# maxiflex Rondo Party and Exhibition Hall

Type: 30.5/340 · Model: 413



## System Measures

Diameter	(A)	30.18 m
Eave height	(C)	3.26 m
Ridge height	(D)	8.16 m
Roof slope		18.00 °
Truss-distance	(B)	5.88 m
Longest component		10.61 m
Truss profile		300 x 120 mm

## Technical Description

### Aluminium Profiles

Solid, hard pressed  
4-groove aluminium hollow profile

### Steel Parts

Hot-dip galvanized according to DIN EN ISO 1461

### Ground Anchoring

Ground stakes or weight anchoring upon request

## Load Requirements/Technical Data

Wind load acc. to DIN EN 13782

Rondo consists out of 2 Apses

Subject to technical modifications!

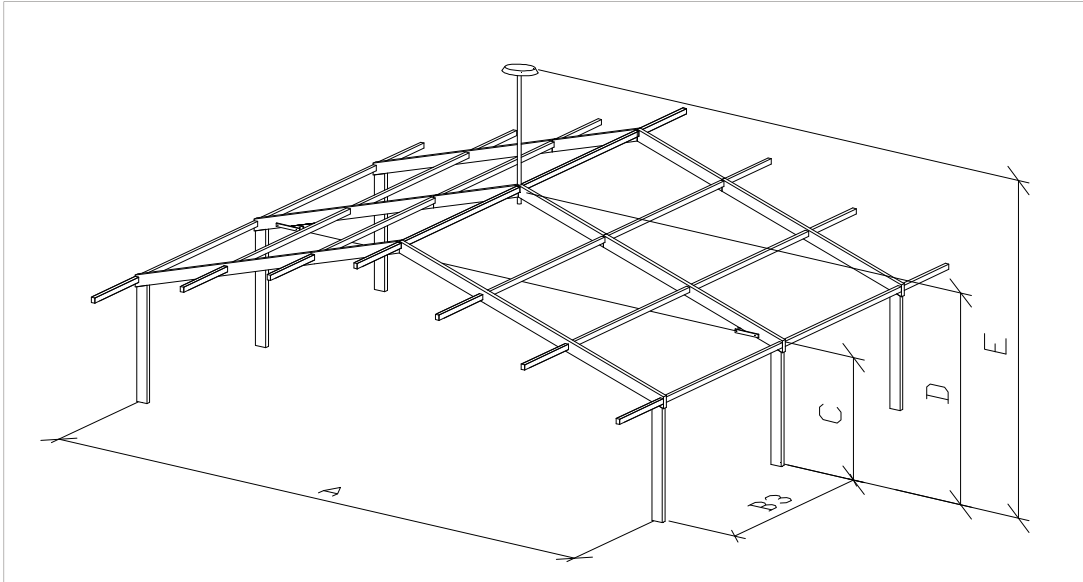


LOSBERGER DE BOER

# maxiflex Dome Area

## Party and Exhibition Hall

Type: 15.5/340 · Model: 169



### System Measures

Diameter	(A)	15.18 m
Eave height	(C)	3.26 m
Ridge height	(D)	5.73 m
Peak height	(E)	9.00 m
Truss-distance	(B)	5.00 m
Longest component		0,00 m
Truss profile		300 x 120 mm

### Technical Description

#### Aluminium Profiles

Solid, hard pressed  
4-groove aluminium hollow profile

#### Steel Parts

Hot-dip galvanized according to DIN EN ISO 1461

#### Ground Anchoring

Ground stakes or weight anchoring upon request

### Load Requirements/Technical Data

Wind load acc. to DIN EN 13782

Subject to technical modifications!

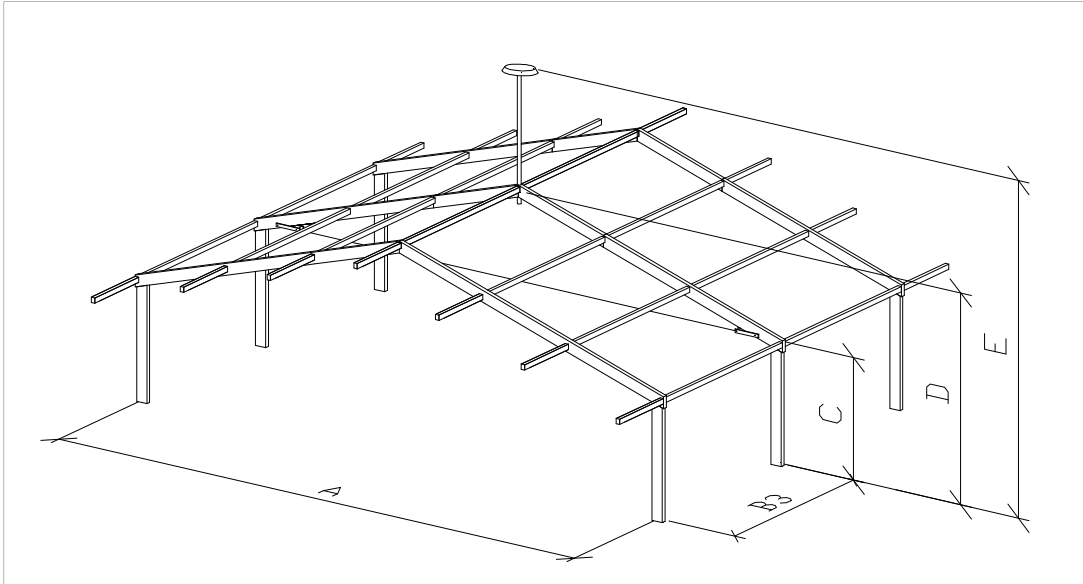


LOSBERGER DE BOER

# maxiflex Dome Area

## Party and Exhibition Hall

Type: 15.5/400 · Model: 216



### System Measures

Diameter	(A)	15.18 m
Eave height	(C)	3.86 m
Ridge height	(D)	6.33 m
Peak height	(E)	9.60 m
Truss-distance	(B)	5.00 m
Longest component		0,00 m
Truss profile		300 x 120 mm

### Technical Description

#### Aluminium Profiles

Solid, hard pressed  
4-groove aluminium hollow profile

#### Steel Parts

Hot-dip galvanized according to DIN EN ISO 1461

#### Ground Anchoring

Ground stakes or weight anchoring upon request

### Load Requirements/Technical Data

Wind load acc. to DIN EN 13782

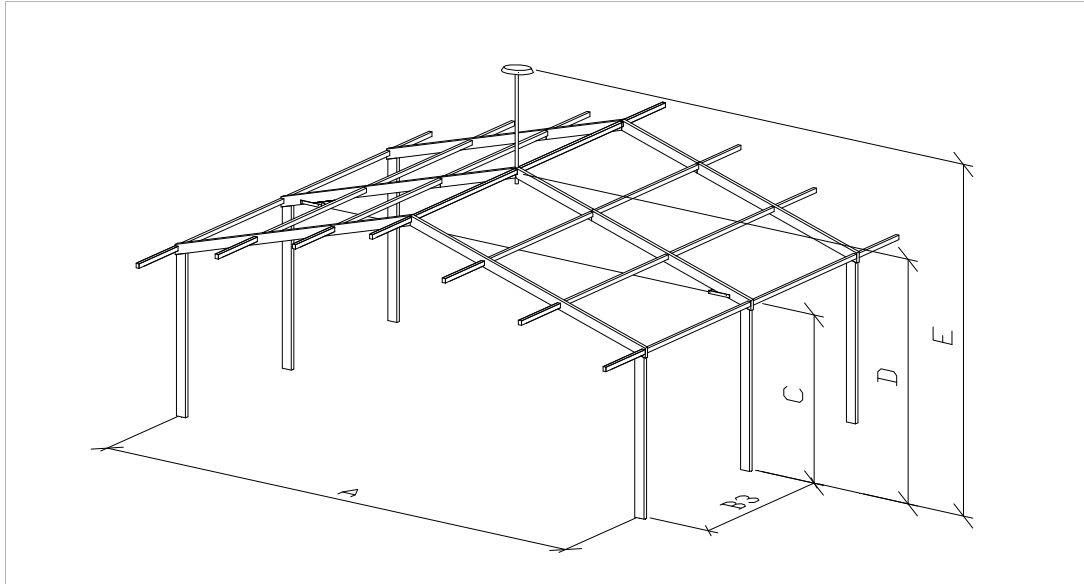
Subject to technical modifications!



# maxiflex Dome Area

## Party and Exhibition Hall

Type: 15.5/540 · Model: 315



### System Measures

Diameter	(A)	15.18 m
Eave height	(C)	5.26 m
Ridge height	(D)	7.73 m
Peak height	(E)	11.00 m
Truss-distance	(B)	5.00 m
Longest component		0,00 m
Truss profile		300 x 120 mm

### Technical Description

#### Aluminium Profiles

Solid, hard pressed  
4-groove aluminium hollow profile

#### Steel Parts

Hot-dip galvanized according to DIN EN ISO 1461

#### Ground Anchoring

Ground stakes or weight anchoring upon request

### Load Requirements/Technical Data

Wind load acc. to DIN EN 13782

Subject to technical modifications!

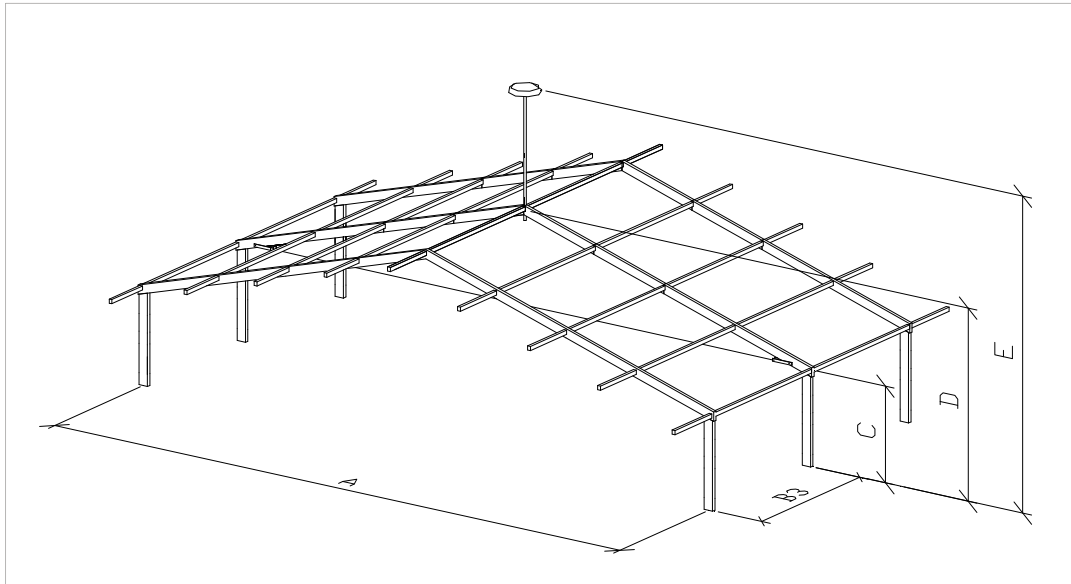




# maxiflex Dome Area

## Party and Exhibition Hall

Type: 20.5/340 · Model: 168



### System Measures

Diameter	(A)	20.18 m
Eave height	(C)	3.26 m
Ridge height	(D)	6.54 m
Peak height	(E)	10.70 m
Truss-distance	(B)	5.00 m
Longest component		0,00 m
Truss profile		300 x 120 mm

### Technical Description

#### Aluminium Profiles

Solid, hard pressed  
4-groove aluminium hollow profile

#### Steel Parts

Hot-dip galvanized according to DIN EN ISO 1461

#### Ground Anchoring

Ground stakes or weight anchoring upon request

### Load Requirements/Technical Data

Wind load acc. to DIN EN 13782

Subject to technical modifications!

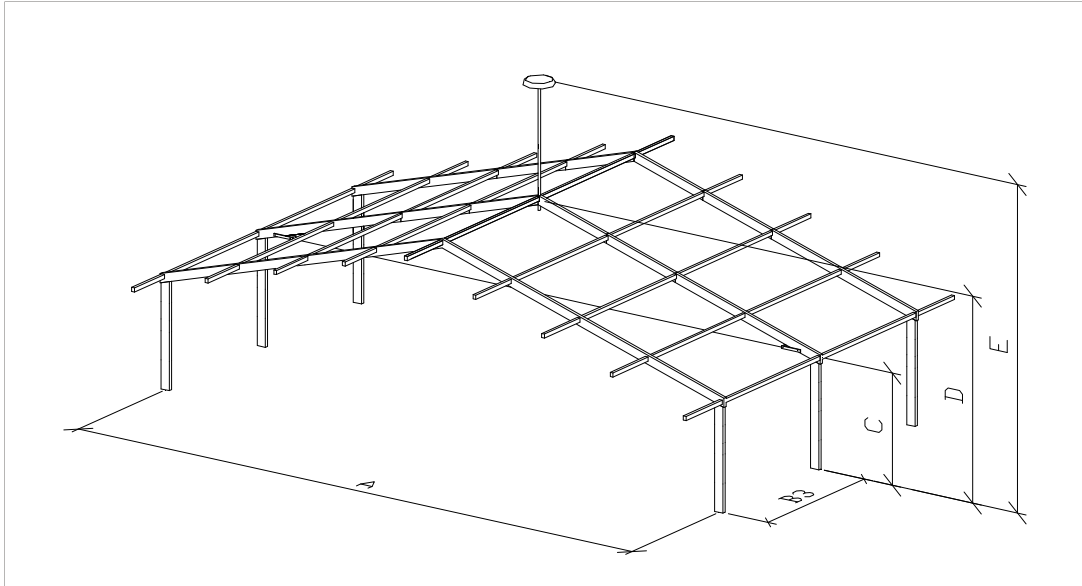


LOSBERGER DE BOER

# maxiflex Dome Area

## Party and Exhibition Hall

Type: 20.5/400 · Model: 310



### System Measures

Diameter	(A)	20.18 m
Eave height	(C)	3.86 m
Ridge height	(D)	7.14 m
Peak height	(E)	11.30 m
Truss-distance	(B)	5.00 m
Longest component		0,00 m
Truss profile		300 x 120 mm

### Technical Description

#### Aluminium Profiles

Solid, hard pressed  
4-groove aluminium hollow profile

#### Steel Parts

Hot-dip galvanized according to DIN EN ISO 1461

#### Ground Anchoring

Ground stakes or weight anchoring upon request

### Load Requirements/Technical Data

Wind load acc. to DIN EN 13782

Subject to technical modifications!

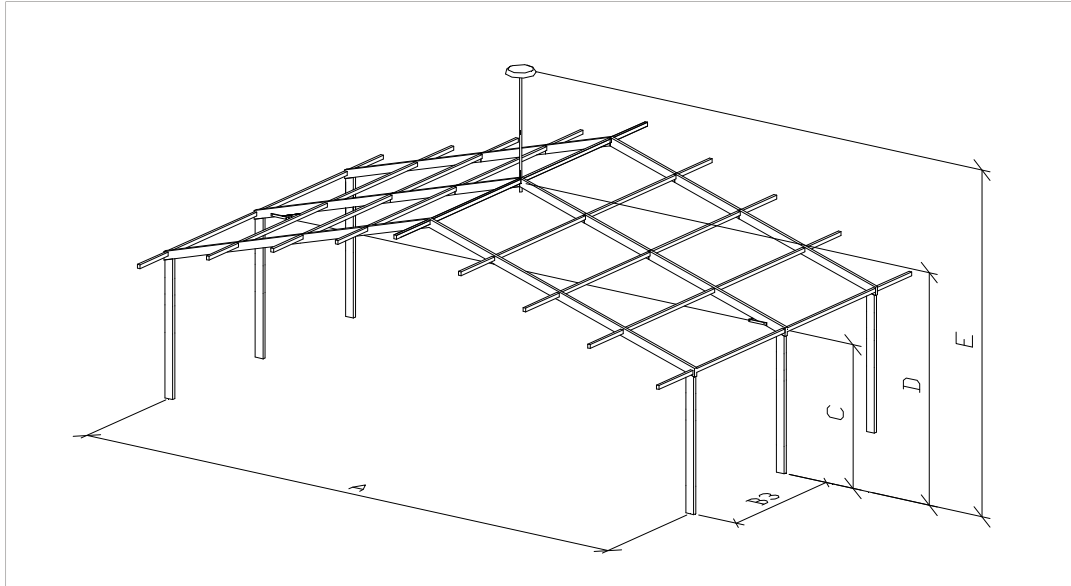


LOSBERGER DE BOER

# maxiflex Dome Area

## Party and Exhibition Hall

Type: 20.5/540 · Model: 218



### System Measures

Diameter	(A)	20.18 m
Eave height	(C)	5.26 m
Ridge height	(D)	8.54 m
Peak height	(E)	12.70 m
Truss-distance	(B)	5.00 m
Longest component		0,00 m
Truss profile		300 x 120 mm

### Technical Description

#### Aluminium Profiles

Solid, hard pressed  
4-groove aluminium hollow profile

#### Steel Parts

Hot-dip galvanized according to DIN EN ISO 1461

#### Ground Anchoring

Ground stakes or weight anchoring upon request

### Load Requirements/Technical Data

Wind load acc. to DIN EN 13782

Subject to technical modifications!

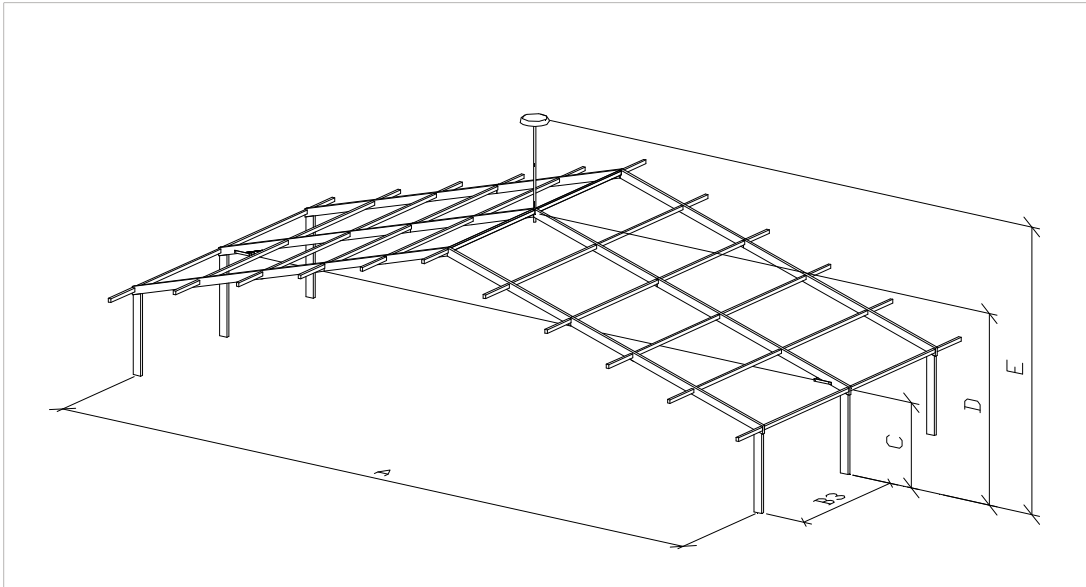


LOSBERGER DE BOER

# maxiflex Dome Area

## Party and Exhibition Hall

Type: 25.5/340 · Model: 171



### System Measures

Diameter	(A)	25.18 m
Eave height	(C)	3.26 m
Ridge height	(D)	7.35 m
Peak height	(E)	11.00 m
Truss-distance	(B)	5.00 m
Longest component		0,00 m
Truss profile		300 x 120 mm

### Technical Description

#### Aluminium Profiles

Solid, hard pressed  
4-groove aluminium hollow profile

#### Steel Parts

Hot-dip galvanized according to DIN EN ISO 1461

#### Ground Anchoring

Ground stakes or weight anchoring upon request

### Load Requirements/Technical Data

Wind load acc. to DIN EN 13782

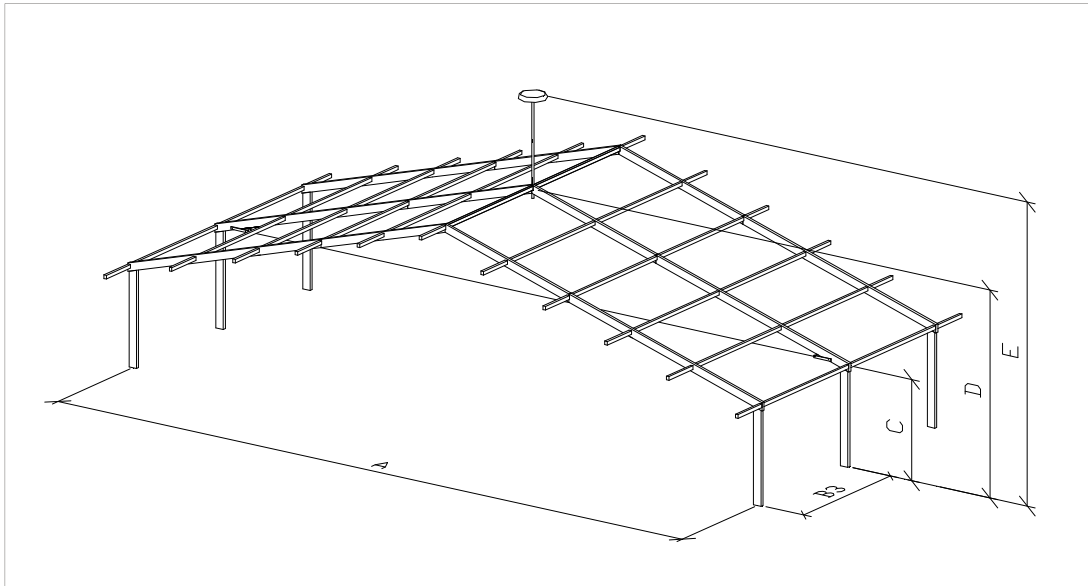
Subject to technical modifications!



# maxiflex Dome Area

## Party and Exhibition Hall

Type: 25.5/400 · Model: 311



### System Measures

Diameter	(A)	25.18 m
Eave height	(C)	3.86 m
Ridge height	(D)	7.95 m
Peak height	(E)	11.60 m
Truss-distance	(B)	5.00 m
Longest component		0,00 m
Truss profile		300 x 120 mm

### Technical Description

#### Aluminium Profiles

Solid, hard pressed  
4-groove aluminium hollow profile

#### Steel Parts

Hot-dip galvanized according to DIN EN ISO 1461

#### Ground Anchoring

Ground stakes or weight anchoring upon request

### Load Requirements/Technical Data

Wind load acc. to DIN EN 13782

Subject to technical modifications!

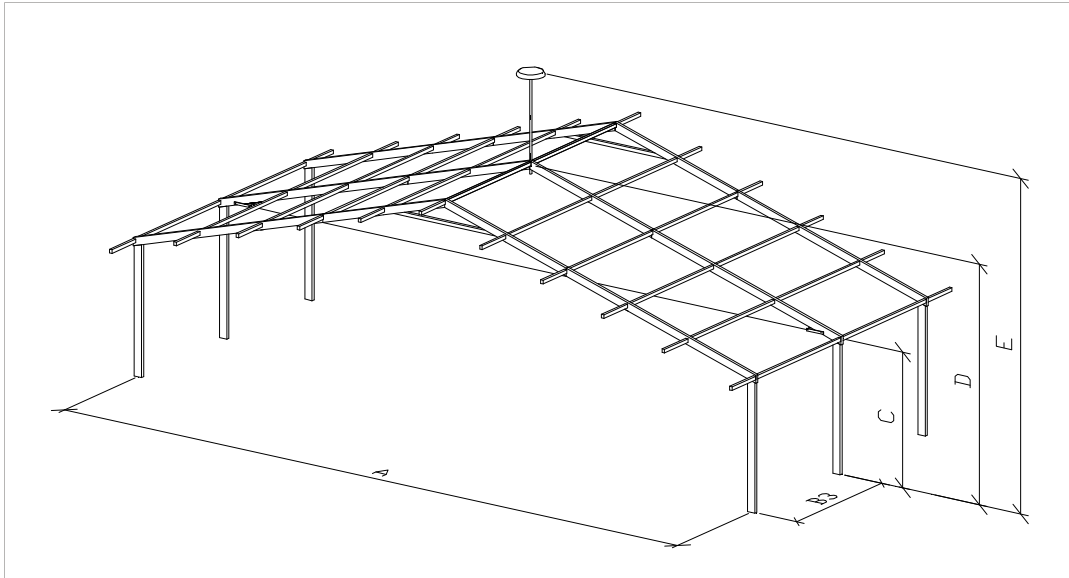


LOSBERGER DE BOER

# maxiflex Dome Area

## Party and Exhibition Hall

Type: 25.5/540 · Model: 316



### System Measures

Diameter	(A)	25.18 m
Eave height	(C)	5.26 m
Ridge height	(D)	9.35 m
Peak height	(E)	13.00 m
Truss-distance	(B)	5.00 m
Longest component		0,00 m
Truss profile		300 x 120 mm

### Technical Description

#### Aluminium Profiles

Solid, hard pressed  
4-groove aluminium hollow profile

#### Steel Parts

Hot-dip galvanized according to DIN EN ISO 1461

#### Ground Anchoring

Ground stakes or weight anchoring upon request

### Load Requirements/Technical Data

Wind load acc. to DIN EN 13782

Subject to technical modifications!

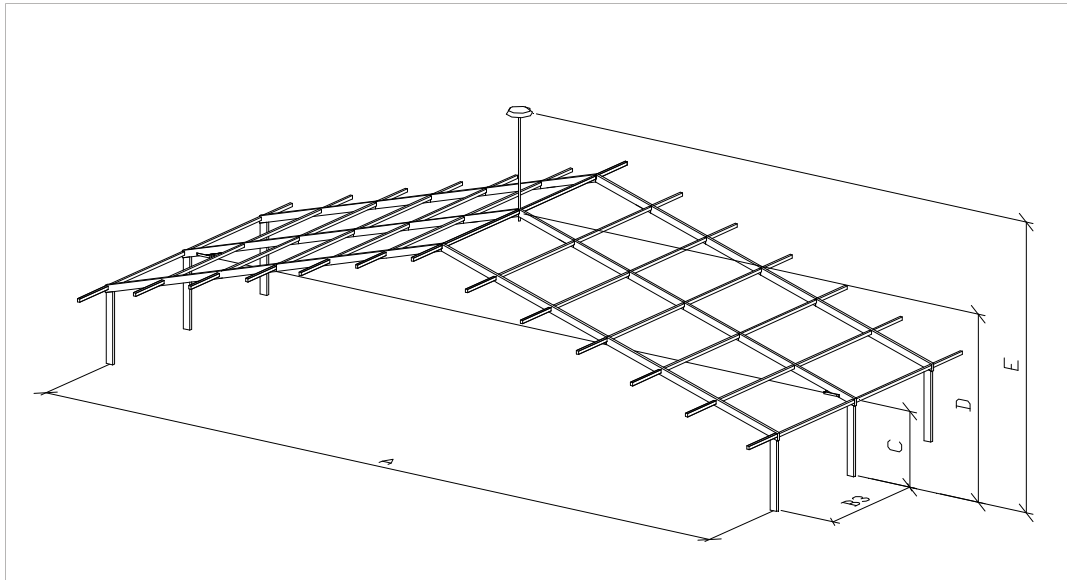


LOSBERGER DE BOER

# maxiflex Dome Area

## Party and Exhibition Hall

Type: 30.5/340 · Model: 153



### System Measures

Diameter	(A)	30.18 m
Eave height	(C)	3.26 m
Ridge height	(D)	8.16 m
Peak height	(E)	12.50 m
Truss-distance	(B)	5.00 m
Longest component		0,00 m
Truss profile		300 x 120 mm

### Technical Description

#### Aluminium Profiles

Solid, hard pressed  
4-groove aluminium hollow profile

#### Steel Parts

Hot-dip galvanized according to DIN EN ISO 1461

#### Ground Anchoring

Ground stakes or weight anchoring upon request

### Load Requirements/Technical Data

Wind load acc. to DIN EN 13782

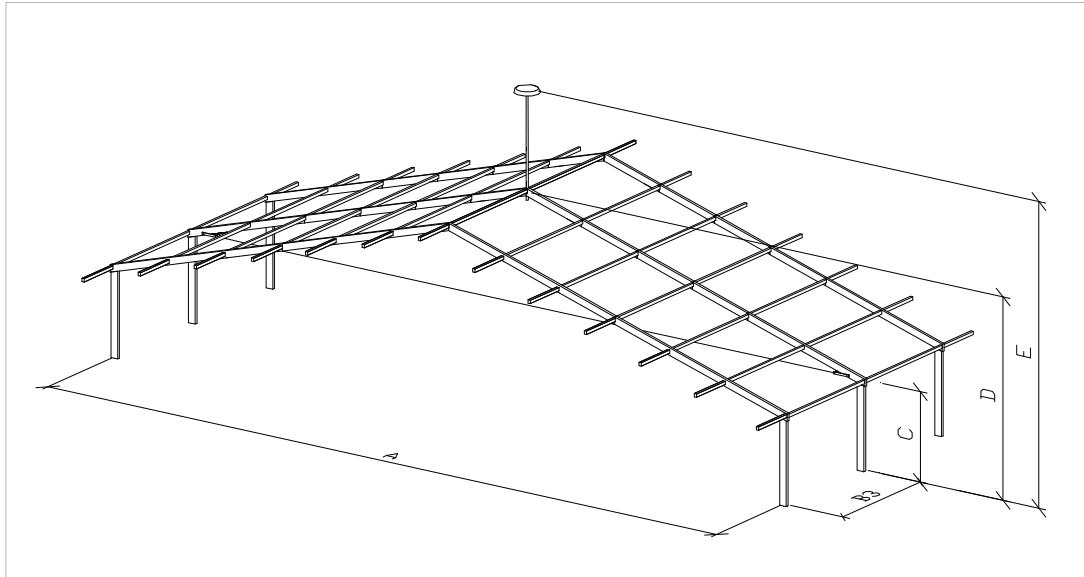
Subject to technical modifications!



# maxiflex Dome Area

## Party and Exhibition Hall

Type: 30.5/400 · Model: 312



### System Measures

Diameter	(A)	30.18 m
Eave height	(C)	3.86 m
Ridge height	(D)	8.76 m
Peak height	(E)	13.10 m
Truss-distance	(B)	5.00 m
Longest component		0,00 m
Truss profile		300 x 120 mm

### Technical Description

#### Aluminium Profiles

Solid, hard pressed  
4-groove aluminium hollow profile

#### Steel Parts

Hot-dip galvanized according to DIN EN ISO 1461

#### Ground Anchoring

Ground stakes or weight anchoring upon request

### Load Requirements/Technical Data

Wind load acc. to DIN EN 13782

Subject to technical modifications!



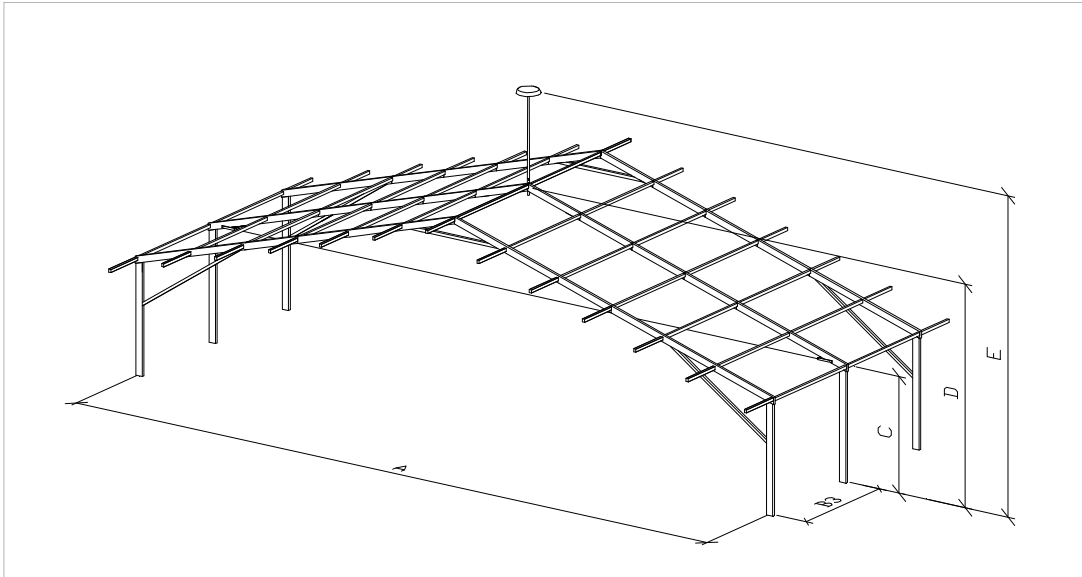


LOSBERGER DE BOER

# maxiflex Dome Area

## Party and Exhibition Hall

Type: 30.5/540 · Model: 317



### System Measures

Diameter	(A)	30.18 m
Eave height	(C)	5.26 m
Ridge height	(D)	10.18 m
Peak height	(E)	14.50 m
Truss-distance	(B)	5.00 m
Longest component		0,00 m
Truss profile		300 x 120 mm

### Technical Description

#### Aluminium Profiles

Solid, hard pressed  
4-groove aluminium hollow profile

#### Steel Parts

Hot-dip galvanized according to DIN EN ISO 1461

#### Ground Anchoring

Ground stakes or weight anchoring upon request

### Load Requirements/Technical Data

Wind load acc. to DIN EN 13782

Subject to technical modifications!